

0.8mm Contact Spacing, Board To Board SMT Connectors

EBB-PR29 SERIES

FEATURES

- 0.8mm contact spacing.
- No. of contacts: 12 pin.
- Stacking Heights: 6.95mm
- Available in embossed type for automatic mounting.

SPECIFICATIONS

1.ELECTRICAL

- Voltage rating:
100VAC, 300VDC r.m.s
- Current rating: 0.5A
- Contact resistance:
60mΩ max.(initial),
90mΩ max.(final)
- Insulation resistance: 500MΩ min.

2.MECHANICAL

- Durability: Mate & Unmate with applicability for 100 times, Contact resistance: 60mΩ max.(initial), 90mΩ max.(final).
- Connector Mating Force: 0.1kgf*n (1N*n) max.(n: Pin)
- Connector Unmating Force: 0.01kgf*n (0.1N*n) min.(n: Pin)
- Terminal Retention Force: 0.3kgf (2.94N) min.

MATERIALS

1.MATERIAL

- Contacts: Copper Alloy
- Insulator Housing:
High Temp. Thermoplastic

2.PLATING

Contact:

- Nickel In All Area
- Contact Area: Au over Nickel

Solder Area:

- Tin-Lead over Nickel
- Tin over Nickel (RoHS Compliance)

PACKING

1.Packing method

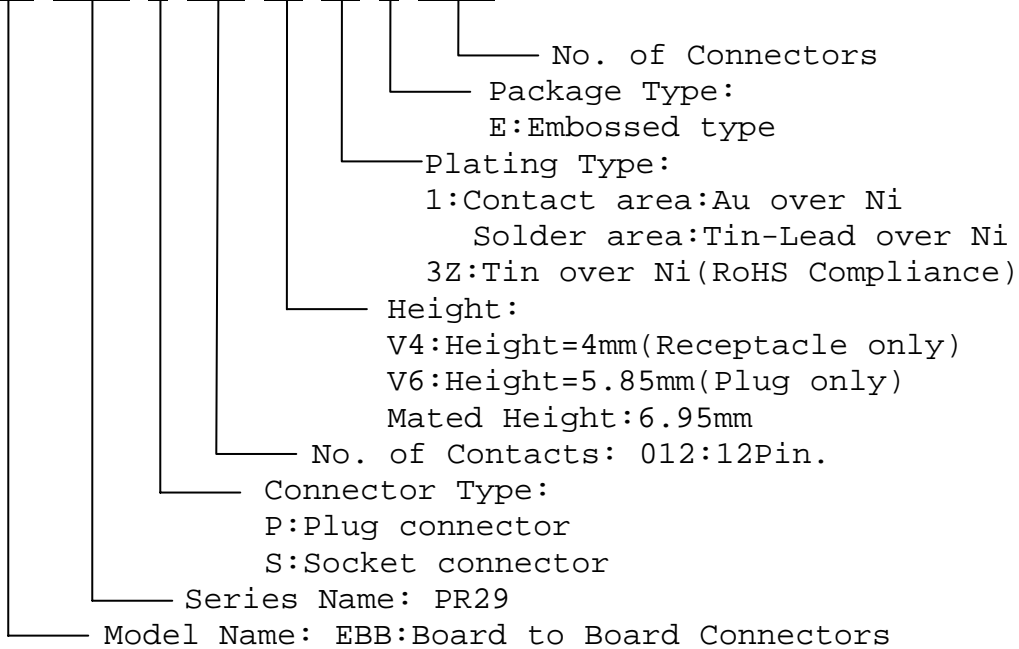
1-1.All connector are packed in reel method.

2.Information on label (stuck to each ploy bag, reel and box)

- | | | | |
|--------------|------------------|--------------|--------------|
| (1)Part NO. | (2)Section. | (3)Lot NO. | (4)Quantity. |
| (5)QC stamp. | (6)Reprocess NO. | (7)ECE mark. | |

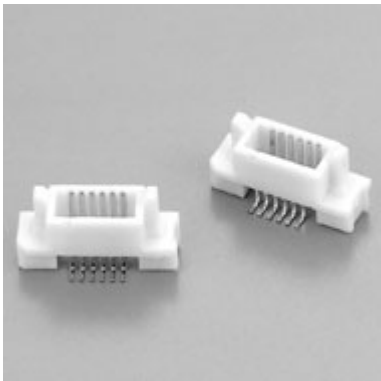
PART NUMBERING SYSTEM

EBB-PR29-S 012 V4-3Z-E 1000

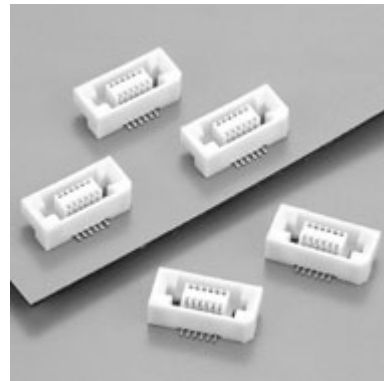


DRAWING

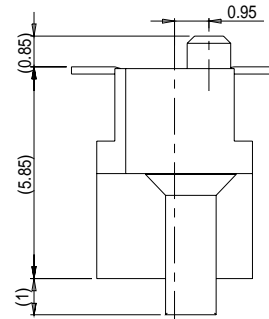
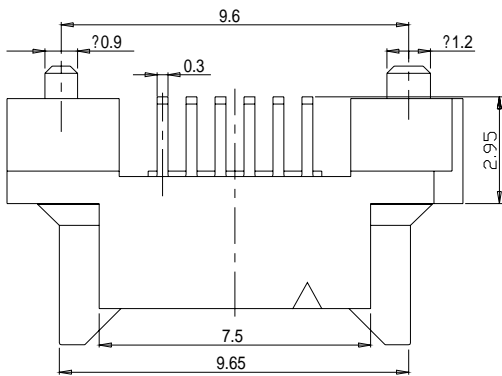
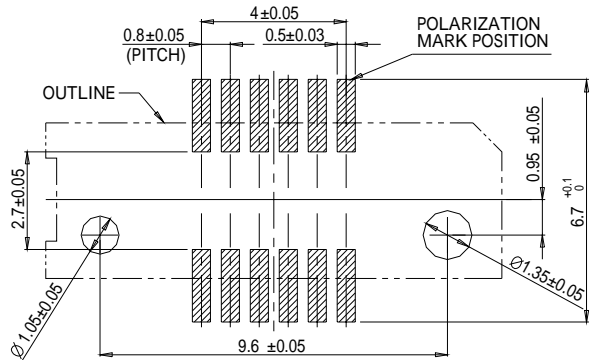
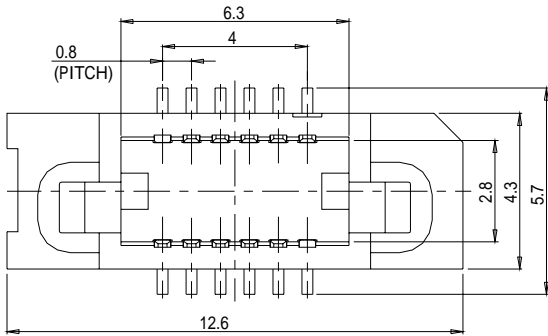
EBB-PR29-P12V6-3Z



EBB-PR29-S12V4-3Z



EBB-PR29-P12V6-3Z(RoHS Compliance) UNIT:mm
Connection Style :Straight Plug



EBB-PR29-S12V4-3Z(RoHS Compliance) UNIT:mm
Connection Style :Straight Receptacle

