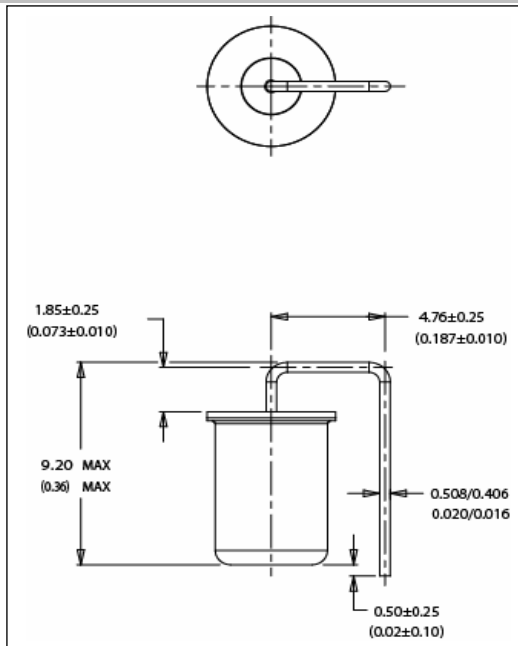


Part No: 20878 T018 Series G Force Switch – Non Mercury



- Features:**
- * RoHS Compliant
 - * Un-Insulated
 - * Form: NO, SPST
 - * Hermetically Sealed
 - * Small Package Size
 - * Low Contact Resistance
 - * Long Life



Drawing dimensions in millimeters.

Switch Ratings:	
Max Switching Voltage:	3.2VDC
Max Switching Current:	10 microamps at 3.0 VDC. Units tested 100% at 3.2 microamps,
Initial Contact Resistance (Max):	50 Ohms maximum at 6G's. 100% Tested in process at 3.2microamps
Stand Off Voltage (contact to contact):	500VDC
Operating Temperature:	-40° to 302°F / -40 to 150°C
Storage Temperature:	-65° to 428°F / -54 to 220°C
Typical number of operations at specified load:	10,000,000
G-Force Activation G-Level/Range:	Contacts shall be open at steady state accelerations of 2.0 G's or less. Contacts shall be closed at steady state accelerations of 6.0G's or more.
Dimensions:	
Weight per 100pcs. Lbs / Kgs:	0.13 / 0.06
Body Length (less leads). Inches / Millimeters:	0.29 / 7.35
Maximum Diameter. Inches / Millimeters:	0.215 / 5.5
Materials:	
Lead Wire Type:	N/A
Lead wire length/skive/termination:	N/A
Finish:	Tin



© American Electronic Components Inc 2006

American Electronic Components Inc.,
 1101 Lafayette Street, Elkhart, Indiana. USA
 Tel: +1-574-295-6330 Fax: +1-574-293-8013
 Email: sales@aecensors.com
<http://www.aecensors.com>