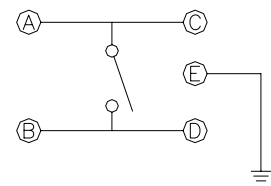
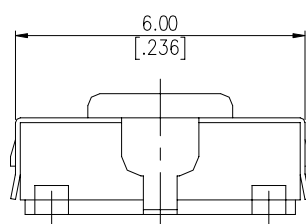
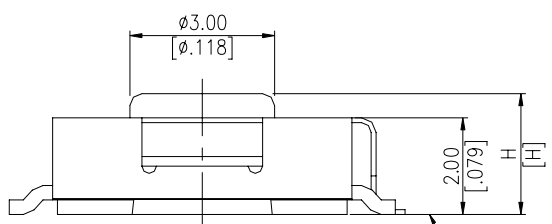
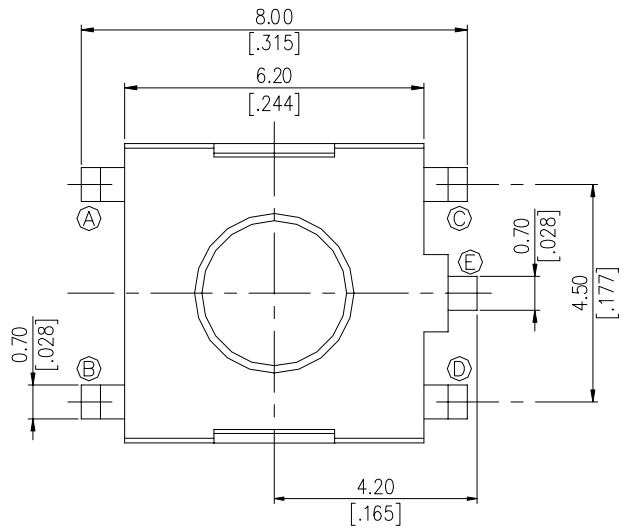


DTSGZM(P).DTSYH-6 SERIES

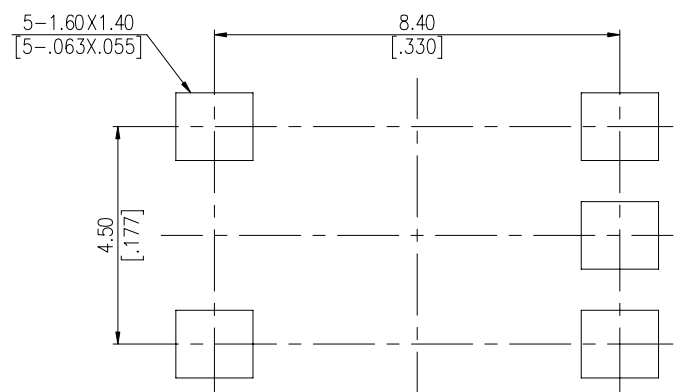


DIMENSIONS

DTSGZM-6



CIRCUIT DIAGRAM

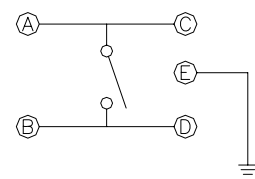
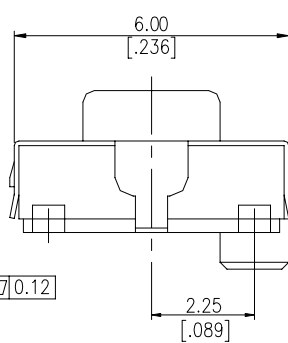
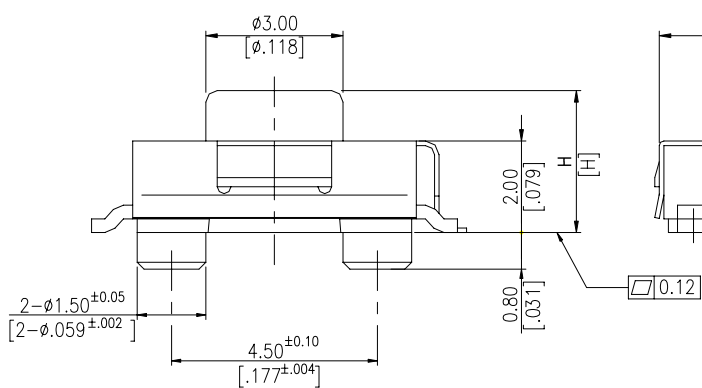
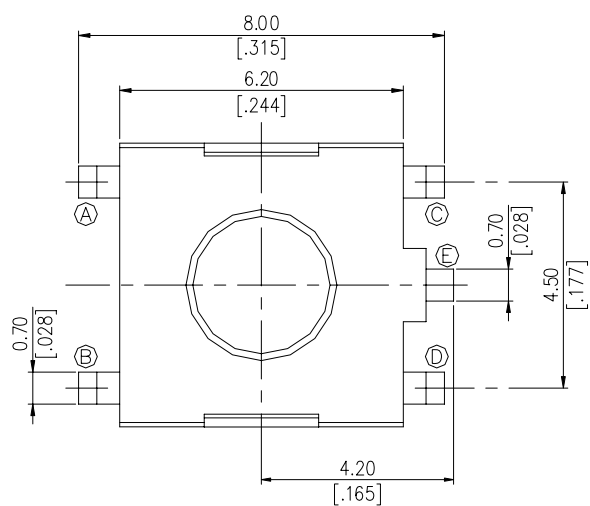


P.C.B. LAYOUT

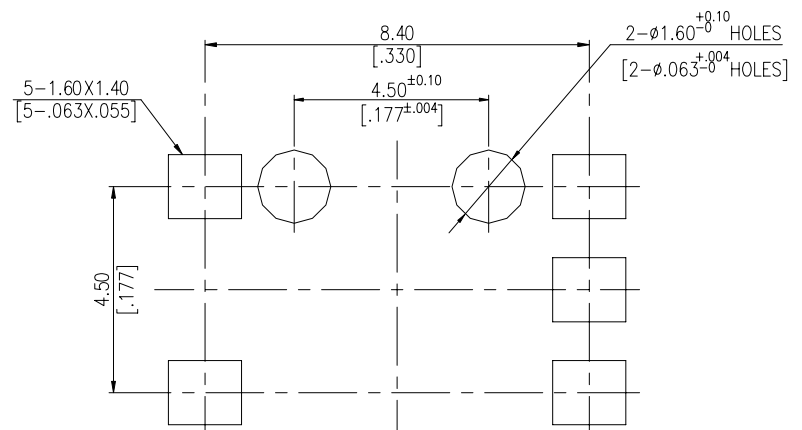
DTSGZM-62	3.1mm [.122]
DTSGZM-61	2.5mm [.098]
PART NO.	H

General Tolerance : $\pm 0.2\text{mm}$

DTSGZMP-6



CIRCUIT DIAGRAM

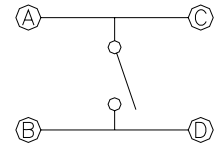
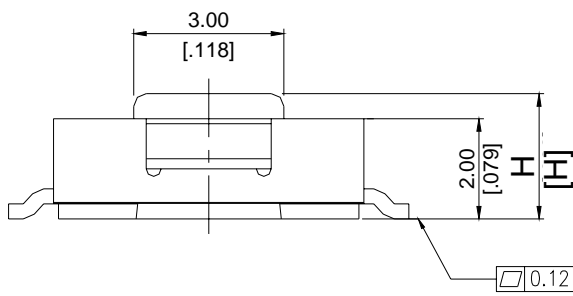
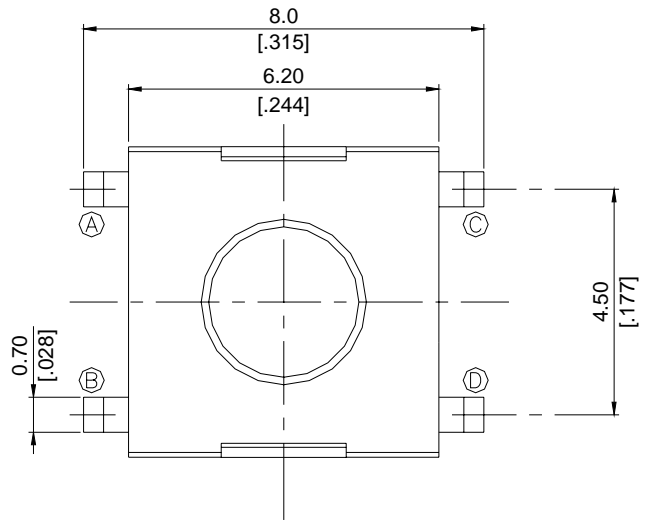


P.C.B. LAYOUT

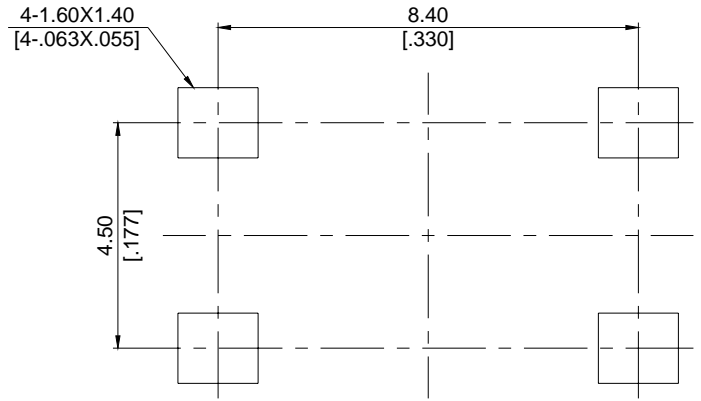
DTSGZMP-62	3.1 [.122]
DTSGZMP-61	2.5 [.098]
PART NO.	H

General Tolerance : $\pm 0.2\text{mm}$

DTSZM-6



CIRCUIT DIAGRAM

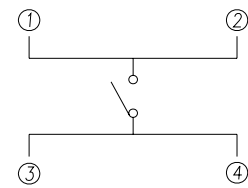
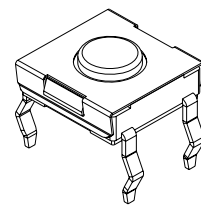
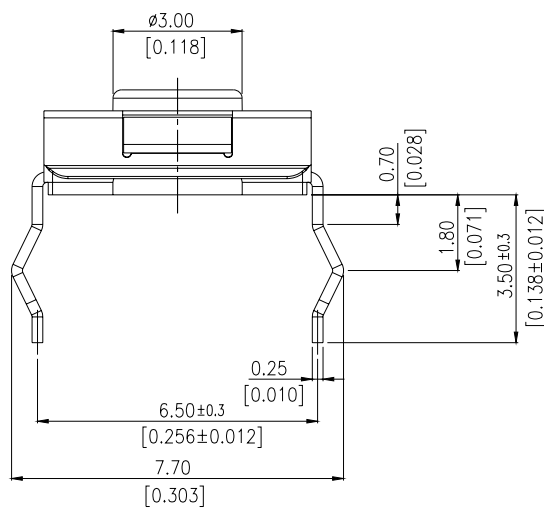
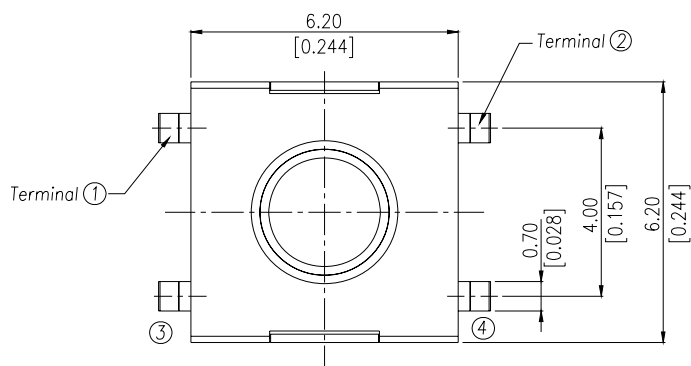


P.C.B. LAYOUT

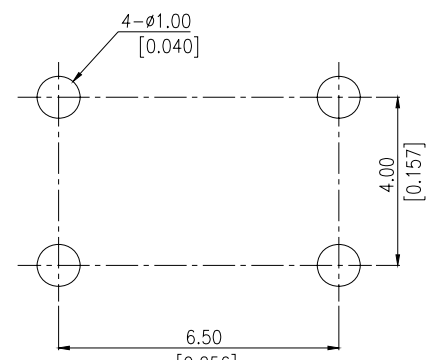
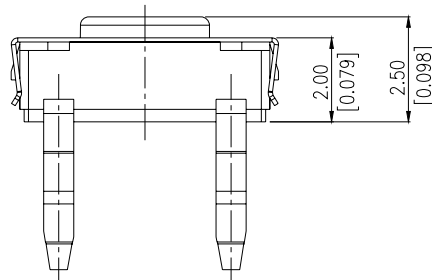
DTSZM-62	3.1mm[.122]
DTSZM-61	2.5mm[.098]
PART NO.	H

General Tolerance : $\pm 0.2\text{mm}$

DTSYH-6



CIRCUIT



P.C.B. LAYOUT

General Tolerance : $\pm 0.2\text{mm}$

HOW TO ORDER

DTS - - -

Package Style:

B = Tube <Except DTSZMP-6>

T/R = Tape & Reel <Except DTSYH-6>

Soldering:

V = Lead Free solderable

Color of Stem for Operation Force:

K = Black, 100gf

N = Brown, 160gf

R = Red, 260gf

Height:

1 = 2.5mm

2 = 3.1mm

Prod size

6 = 6X6mm

Alignment Pin

= Without Post

P = With Post (S.M.T Only)

Terminal Type

M = S.M.T

H = Through Hole Terminal

Terminal Pitch

Y = Terminal Pitch 4.0mm

(Through Hole Only)

Z = Terminal Pitch 4.5mm

Product Series:

G = With Ground Terminal

(DTSGZM-6 Only)

= Without Ground Terminal

SPECIFICATION

△MECHANICAL

Operation Force: 100±50gf Black(K)

160±50gf Brown(N)

260±50gf Red(R)

Stroke: 0.25+0.2/-0.1mm

Operation Temperature: -25°C to +70°C

Storage Temperature: -30°C to +80°C

△ELECTRICAL

Electrical Life: 100,000 cycles for 260gf

200,000 cycles for 100gf,160gf

Rating : 50 mA , 12 VDC

Contact Resistance : 100mΩ max

Insulation Resistance : 100MΩ min , at 500 VDC

Dielectric Strength : 250 VAC / minute

Contact Arrangement : 1 pole 1 throw

MATERIAL

△COVER: Stainless steel (DTSYH-6,DTSZM-6)

Nickel Silver (DTSGZM-6)

△BASE: UL 94V-0 Nylon High-temp thermoplastic

Color: Black

△CONTACT DISC: Stainless steel with silver cladding

△TERMINAL: Brass with silver plated

△STEM : UL94V-0 Nylon High-temp Thermoplastic

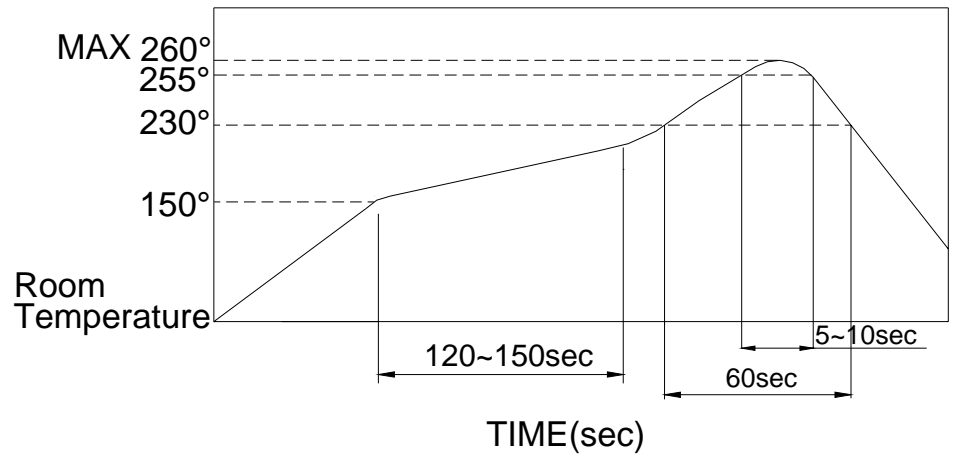
Color : Black(100gf) , Brown(160gf) , Red(260gf) ,

SOLDERING PROCESS

△ **HAND SOLDERING** : Use a soldering iron of 30 watts, controlled at 350°C approximately max 5 seconds while applying.

△ **REFLOW SOLDERING**: When applying reflow soldering, the peak temperature or the reflow oven should be set to 260°C max.

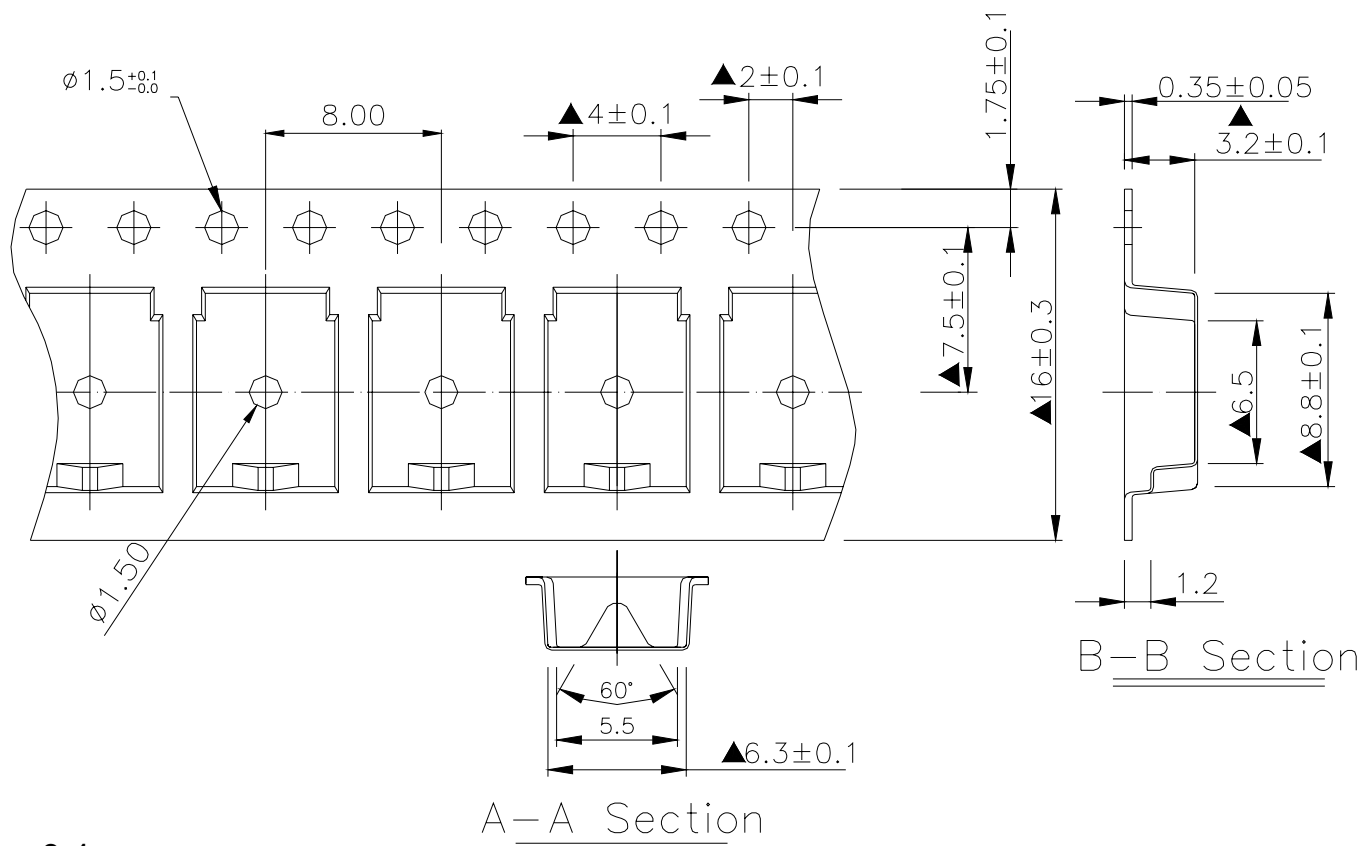
△ **Reflow Temperature Profile:**



PACKING

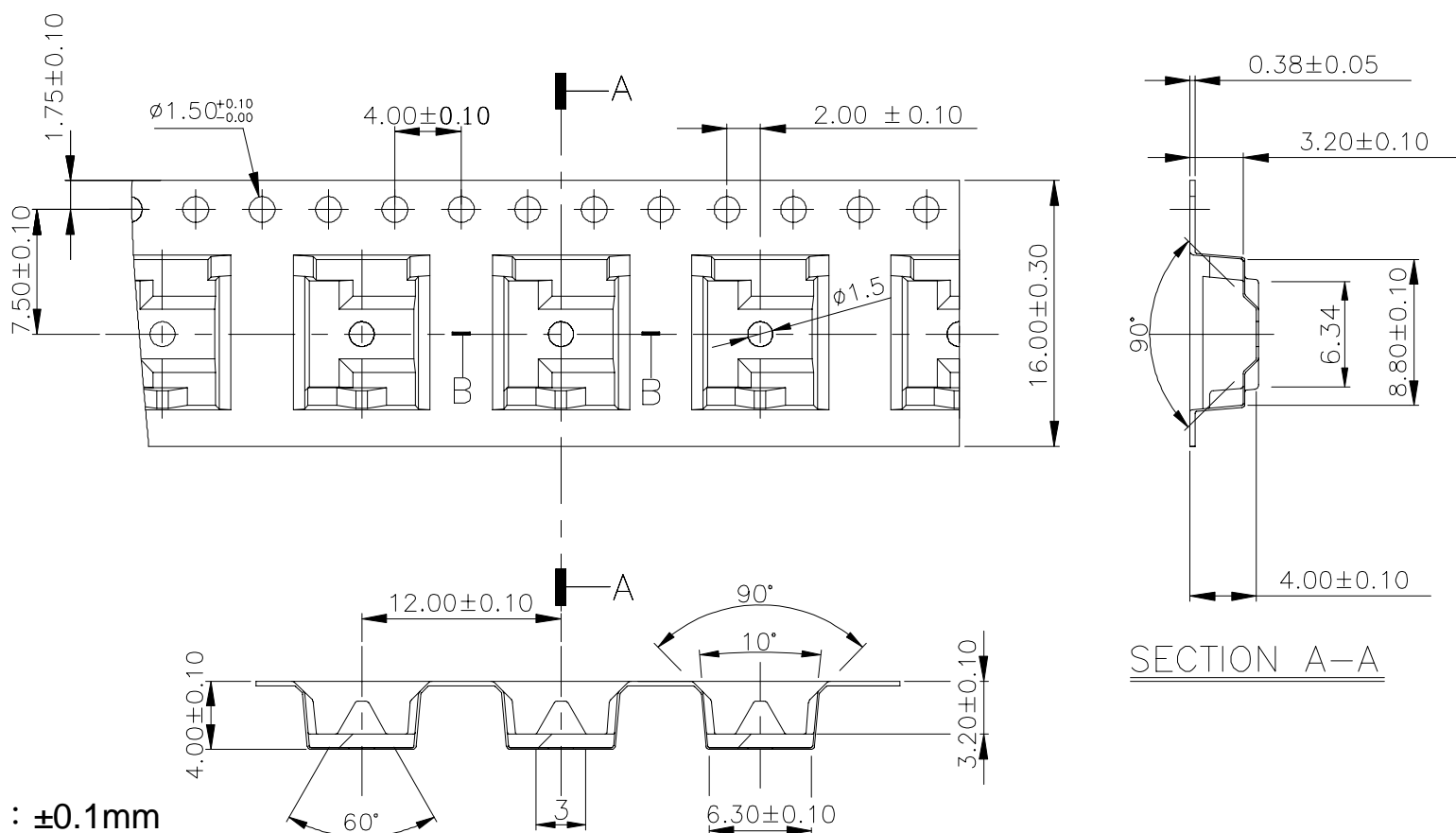
Part Number	Number Per Tube	Number Per Reel
DTS(G)ZM-61	75	2500
DTS(G)ZM-62	75	2500
DTSGZMP-61	-	1400
DTSGZMP-62	-	1400
DTSYH-61	75	-

DTSGZM-6 REEL



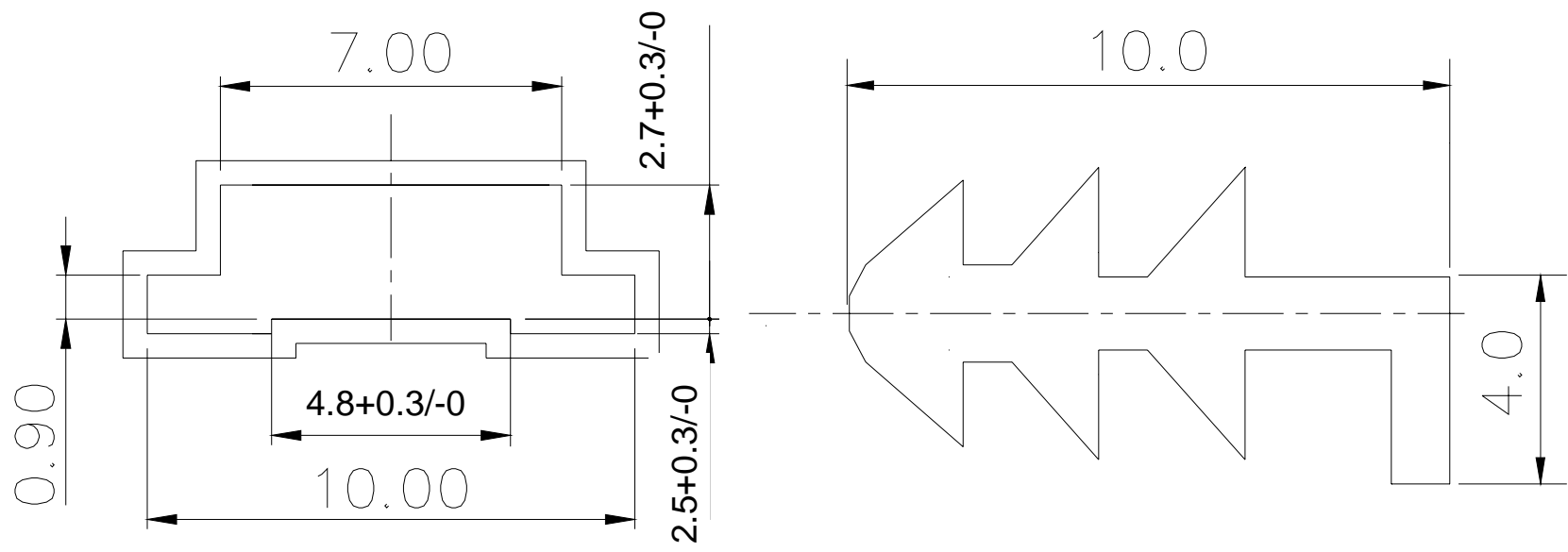
General Tolerance : ±0.1mm

DTSGZMP-6 REEL



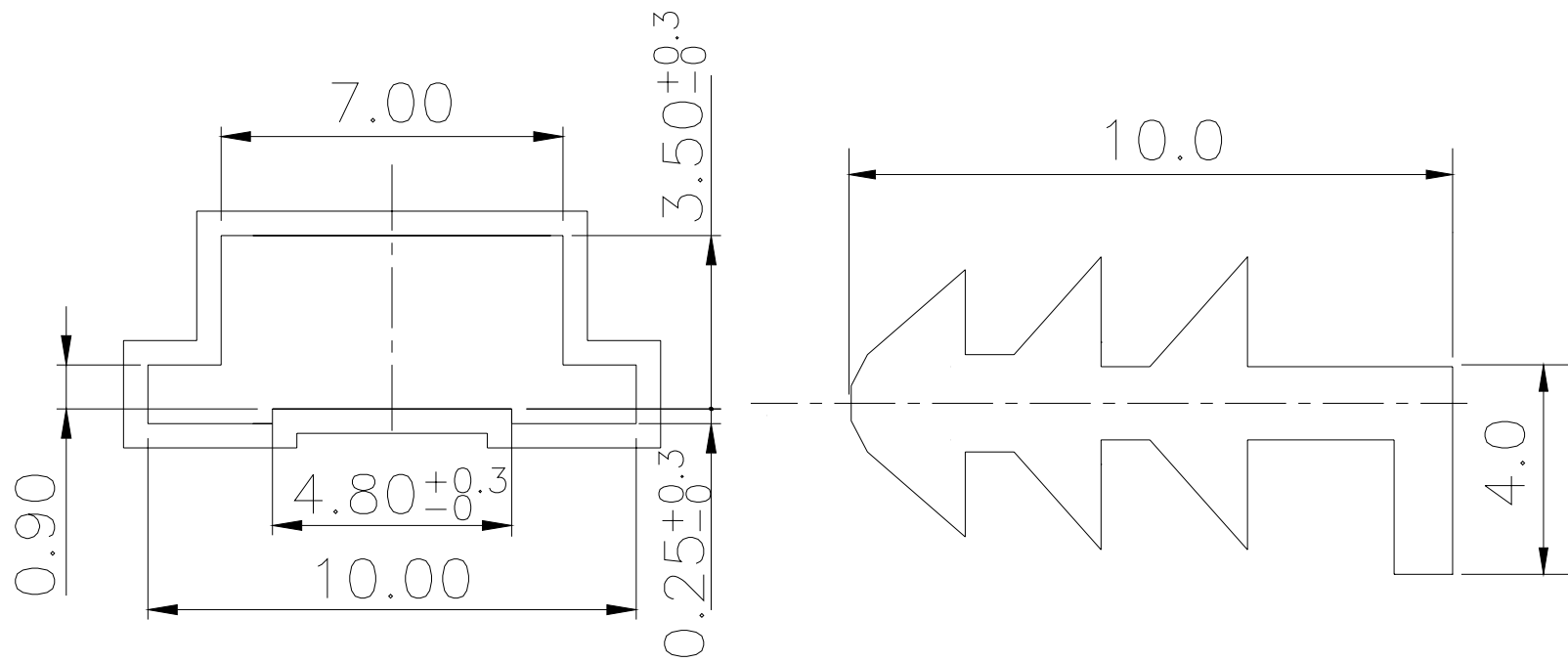
General Tolerance : ±0.1mm

DTSGZM-61 TUBE



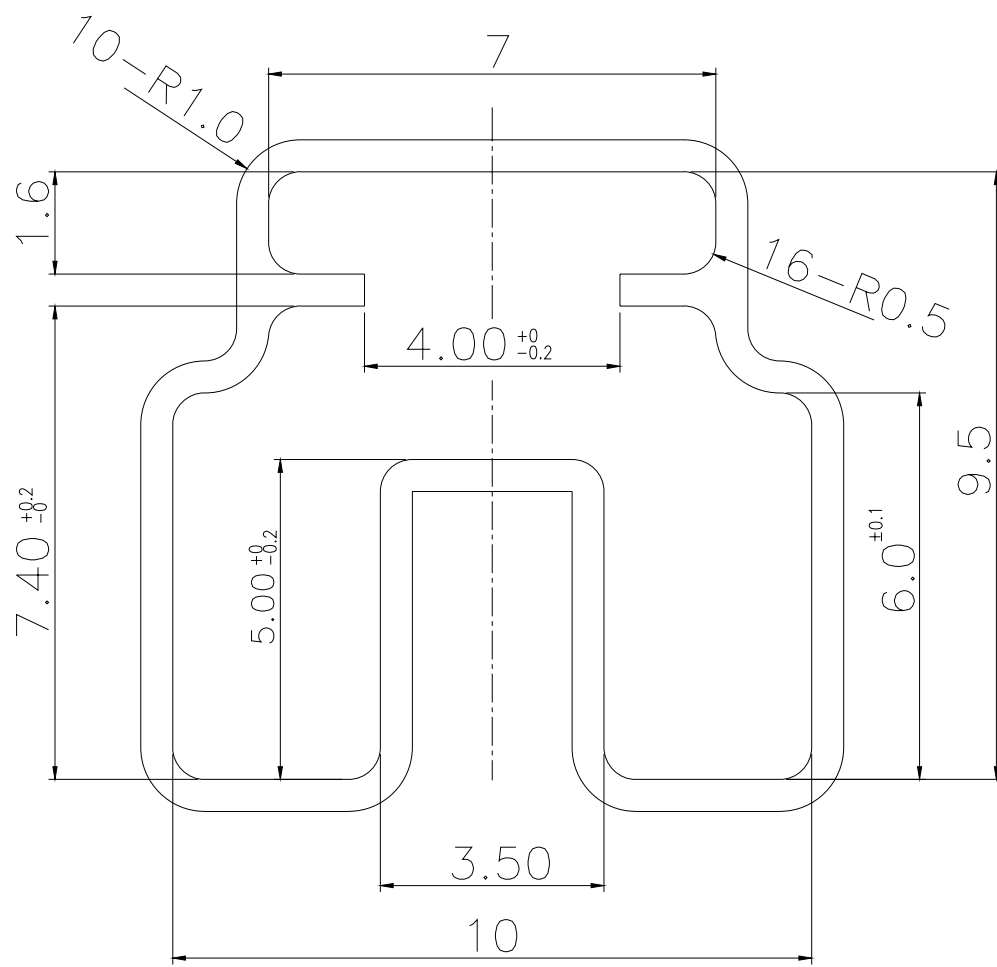
General Tolerance : $\pm 0.2\text{mm}$

DTS(G)ZM-62 TUBE



General Tolerance : $\pm 0.2\text{mm}$

DTSYH-61 TUBE



General Tolerance : ±0.2mm