

Specifications

MQS-210H:	10A 125/250VAC > 100,000 cycles 1/2HP 125/250VAC 1A 30VDC
Electrical Life	100,000 cycles min.
Mechanical Life:	1,000,000 cycles min.
Operating Temp:	-40° C ~ +150° C
Insulation Resistance:	100 MΩ min.
Dielectric Strength:	1000VAC for 60 +/- 5 sec
Housing:	UL 94V0 Thermoplastic
Operating Force:	55 +/- 15gf, 100 +/- 25gf 160 +/- 30gf, 200 +/- 30gf 350 +/- 50gf

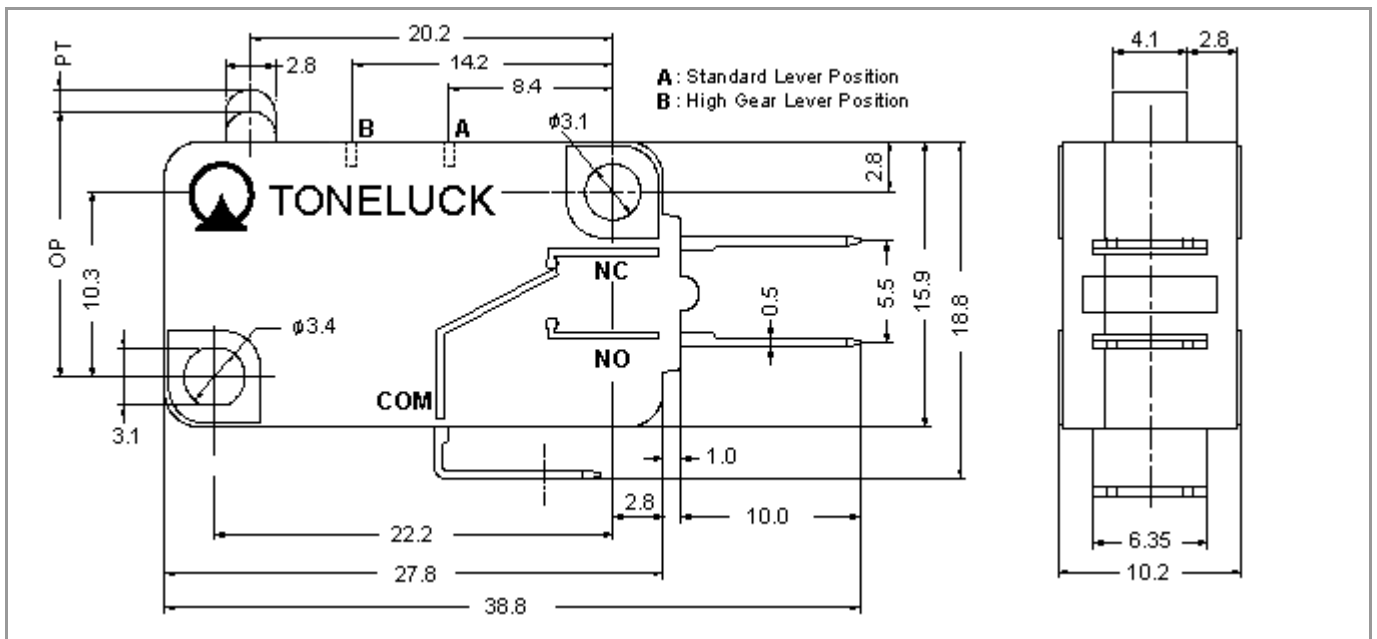


Ordering qty: 200pcs
Switch with lever:1000pcs

Ordering Instructions

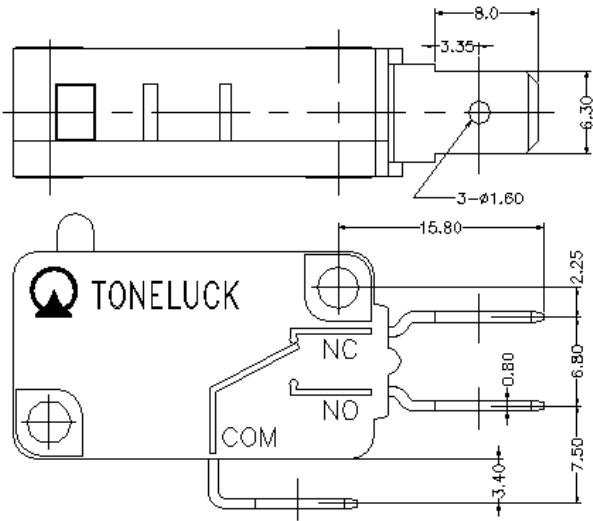
MQS-210H	A	01	A	A	K	01
MQS-210H	<u>Lever Position</u> A B N=no lever	<u>Lever Type</u> 01, 02 ..99 A1, A2..ZZ 00=no lever	<u>Terminal Type</u> Ref. to drawing	<u>Circuitry</u> (silver contacts) A=SPDT B=SPST-NC C=SPST-NO (Gold Contacts) D=SPDT E=SPST -NC F=SPST-NO	<u>Operating Force</u> K L M N P	<u>Versions</u> Standard: 01 Custom-made: 02, 03, 04, ..99 1A, 1B,1C ..1Y

Basic Dimensions

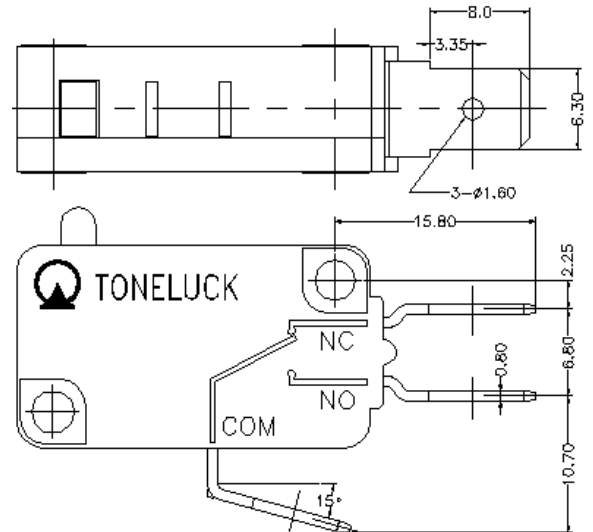


Standard Terminals

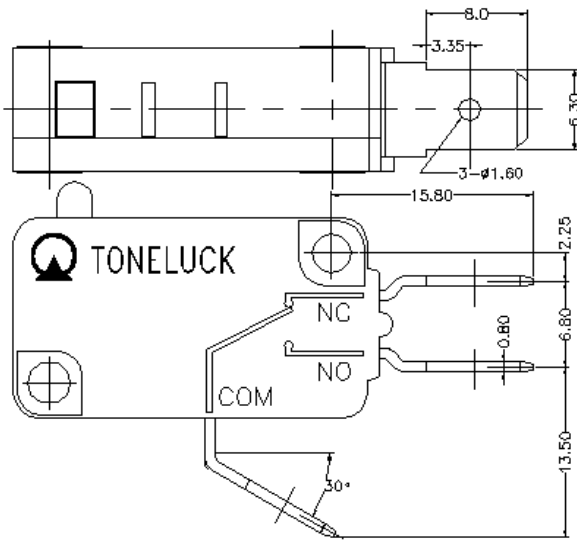
A: 6.3x0.8 terminals



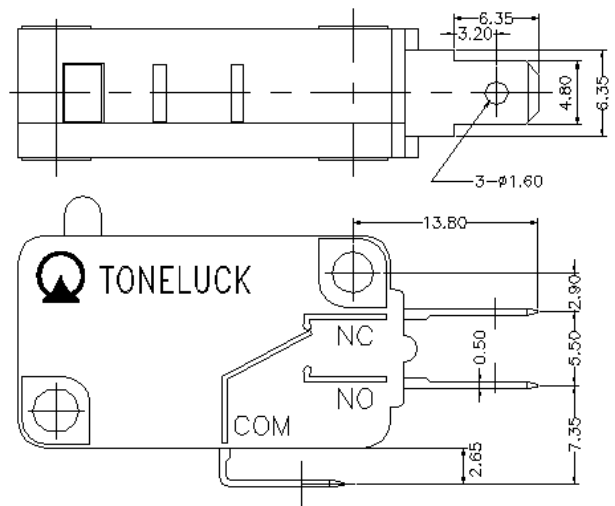
J: 6.3x0.8 terminals



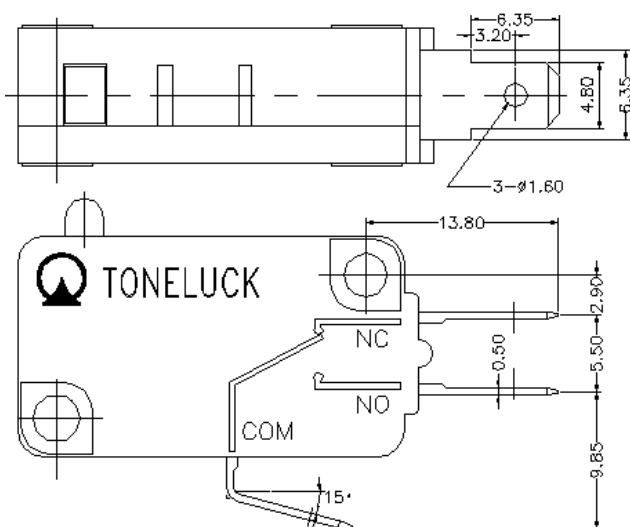
K: 6.3x0.8 terminals



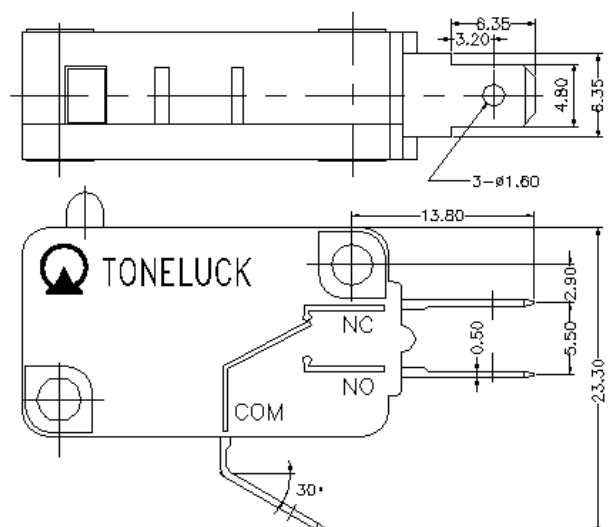
B: 4.8x0.5 terminals



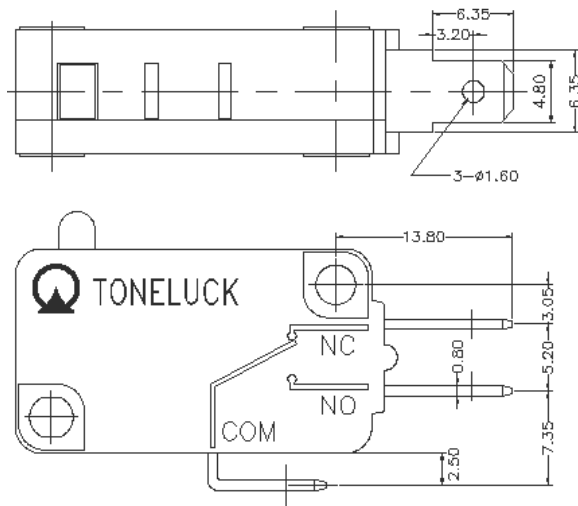
H: 4.8x0.5 terminals



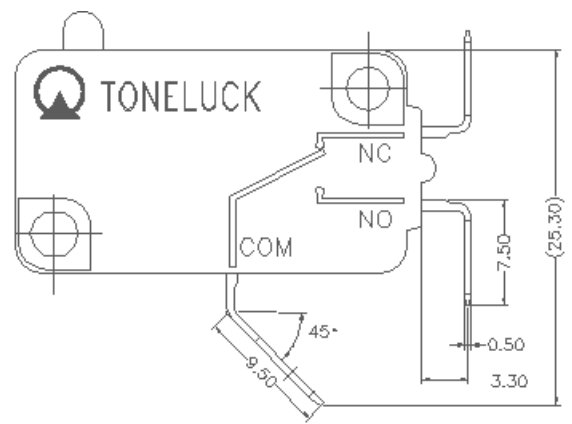
M: 4.8x0.5 terminals



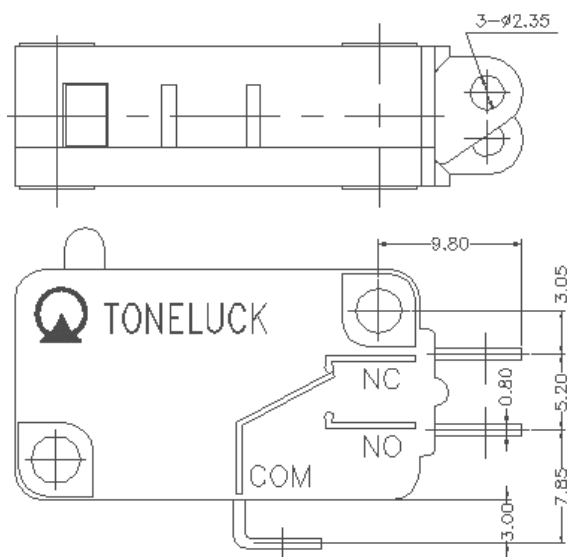
S: 4.8x0.8 terminals



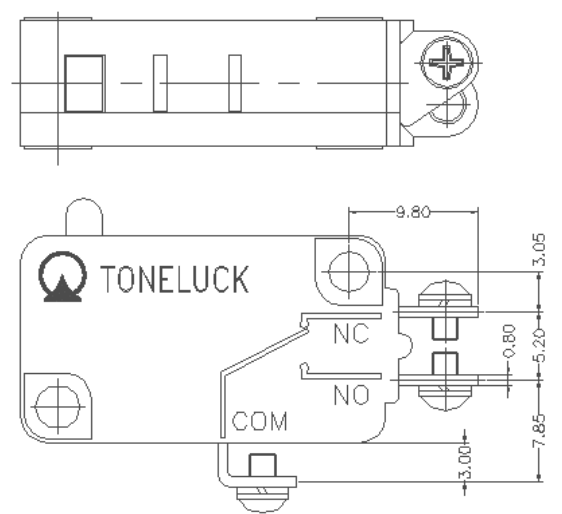
T: 4.8x0.5 terminals



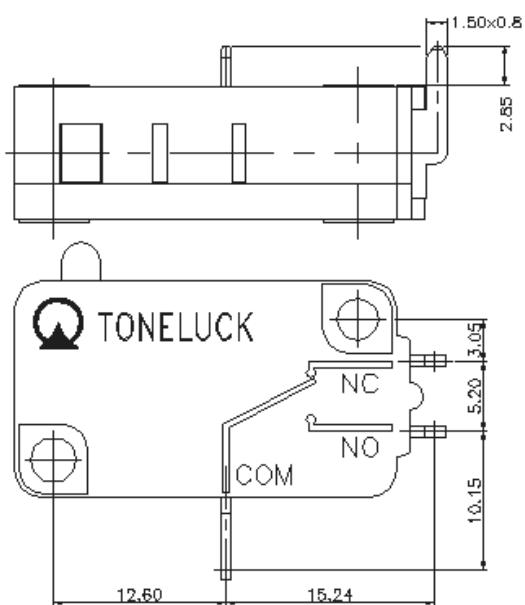
C: Solder Terminals



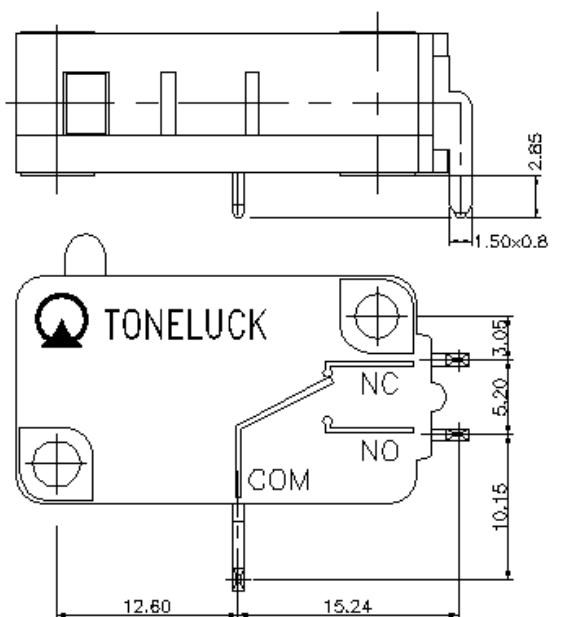
D: Screw Terminals



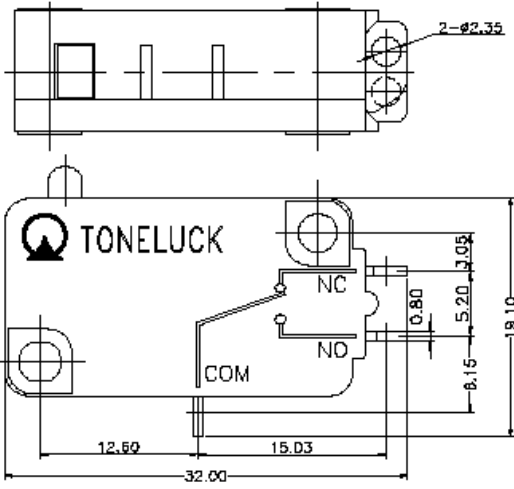
P: PCB Terminal -Right



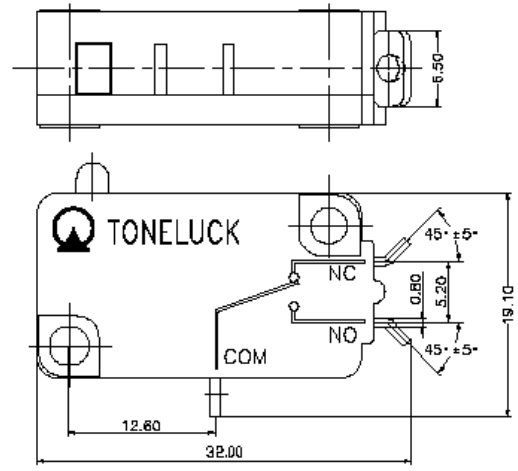
Q: PCB Terminal -Left



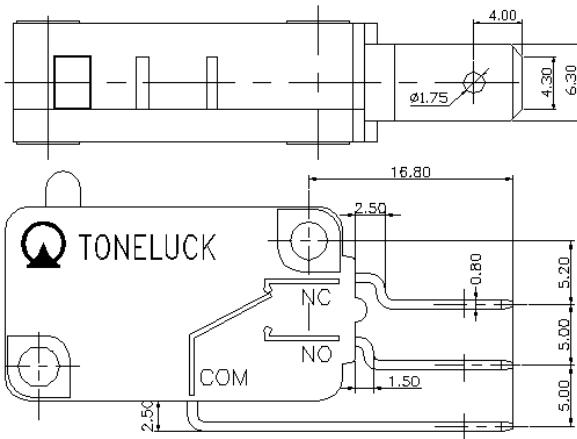
U: Ultra Short Solder Terminals



V: Bent Ultra Short Solder Terminals

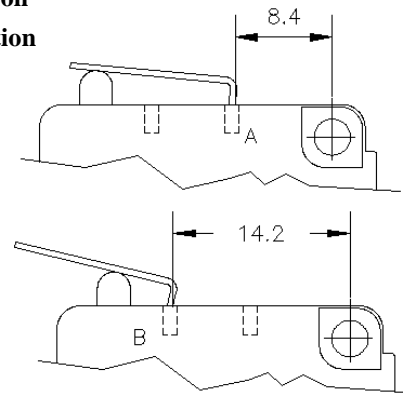


R: 6.3x0.8, RAST-5 terminals



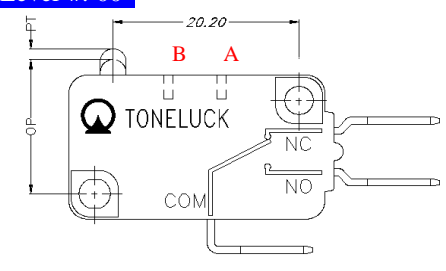
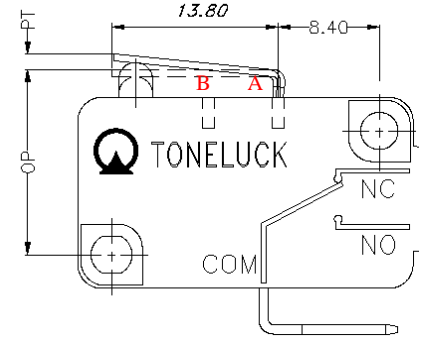
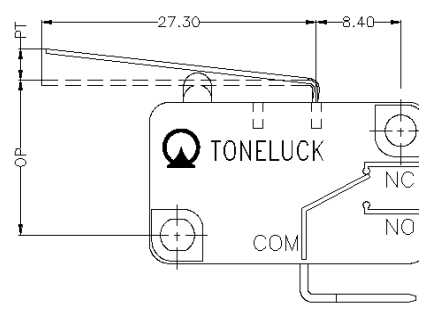
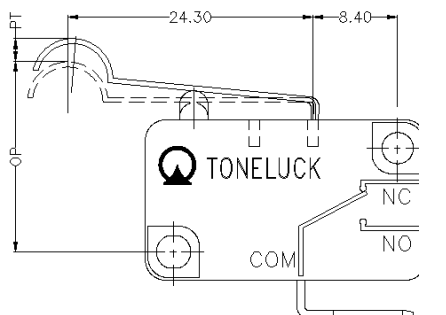
Lever Positions

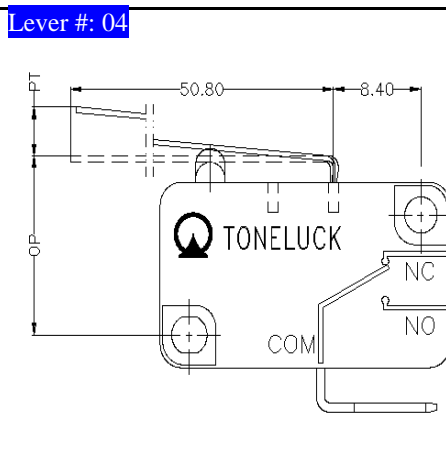
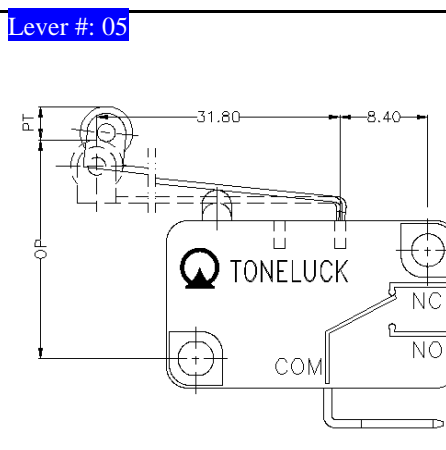
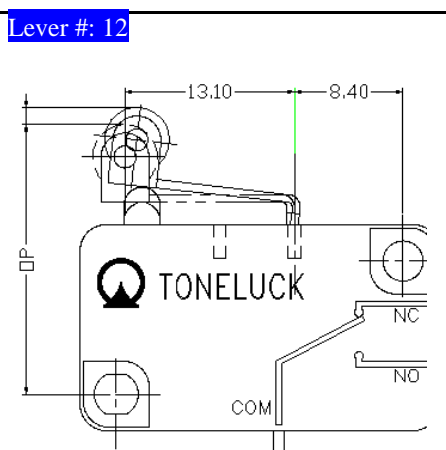
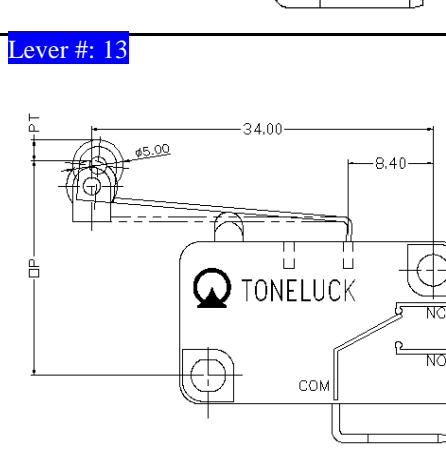
A= standard position
B= high ratio position



Standard Levers for MQS-2xx & E series Basic Switches

(All dimensions in [mm], force in gram)

Lever Type	Lever position	Op. force(gf)	RF (min)	OP	PT (max)	OT (min)	MD (max)
Lever #: 00 	-	K: 55 ± 15	10	14.7±0.5	1.2	1.25	0.40
		L: 100 ± 25	20				
		M: 160 ± 30	50				
		N: 200 ± 30	55				
		P: 350 ± 50	80				
Lever #: 01 	A	K: 55 ± 15	10	15.3±0.5	1.6	1.5	0.5
		L: 100 ± 25	20				
		M: 160 ± 30	50				
		N: 200 ± 30	55				
		P: 350 ± 50	80				
	B	K: 30 ± 15	10	15.3±1.1	3.0	2.4	0.75
		L: 50 ± 15	15				
		M: 80 ± 20	30				
		N: 100 ± 20	40				
		P: 175 ± 30	50				
Lever #: 02 	A	K: 30 ± 15	10	15.3±1.5	3.3	2.5	1.2
		L: 50 ± 15	15				
		M: 75 ± 20	30				
		N: 95 ± 20	40				
	B	P: 170 ± 30	50	15.3±2.3	6.0	4.8	1.65
		K: 20 ± 8	5				
		L: 30 ± 10	10				
		M: 40 ± 15	15				
Lever #: 03 	A	K: 30 ± 15	10	18.7±1.5	2.8	2.4	1.1
		L: 55 ± 15	15				
		M: 85 ± 20	30				
		N: 105 ± 20	40				
	B	P: 180 ± 30	50	18.7±2.1	5.5	4.1	1.6
		K: 20 ± 8	5				
		L: 30 ± 10	10				
		M: 45 ± 15	15				
		N: 55 ± 15	20				
		P: 100 ± 25	30				

Lever Type	Lever position	Op. force (gf)	RF min	OP	PT (max)	OT (min)	MD (max)
Lever #: 04 	A	K: 12 ± 5	4	15.3±2.5	6.5	4.4	2.2
		L: 25 ± 10	8				
		M: 40 ± 15	15				
		N: 50 ± 15	20				
		P: 85 ± 20	30				
	B	K: 7 ± 5	2	15.3±4.3	11.5	8.3	3.5
		L: 15 ± 8	5				
		M: 20 ± 8	8				
		N: 25 ± 10	10				
		P: 55 ± 15	15				
Lever #: 05 	A	K: 20 ± 10	5	20.7±1.5	3.7	3.3	1.3
		L: 40 ± 15	10				
		M: 60 ± 15	25				
		N: 75 ± 20	30				
		P: 140 ± 30	45				
	B	K: 12 ± 5	4	20.7±2.2	7.5	5.5	2.4
		L: 20 ± 10	8				
		M: 35 ± 15	12				
		N: 40 ± 15	15				
		P: 80 ± 20	25				
Lever #: 12 	A	K: 55 ± 15	10	20.7±0.5	1.6	1.5	0.5
		L: 100 ± 25	20				
		M: 160 ± 30	50				
		N: 200 ± 30	55				
		P: 350 ± 50	80				
	B	K: 30 ± 15	10	20.7±1.1	3.0	2.4	0.75
		L: 50 ± 15	15				
		M: 80 ± 20	30				
		N: 100 ± 20	40				
		P: 175 ± 30	50				
Lever #: 13 	A	K: 30 ± 15	10	20.7±0.5	3.3	2.5	1.2
		L: 50 ± 15	15				
		M: 80 ± 20	30				
		N: 100 ± 20	40				
		P: 175 ± 30	50				
	B	K: 20 ± 8	5	20.7±2.2	6.0	4.8	1.6
		L: 30 ± 10	10				
		M: 40 ± 15	10				
		N: 50 ± 15	15				
		P: 90 ± 20	30				

Other standard levers

<p>No.#06</p>	<p>No.#07</p>
<p>No.#09</p>	<p>No.#10</p>
<p>No.#16</p>	<p>No.#17</p>
<p>No.#08</p>	<p>No.#18</p>
<p>No.#11</p>	

Note: Please contact Toneluck or her representatives for more levers