

DATE: _____

MESSRS. : _____

AGENT: _____

SPECIFICATION
OF
FRESNEL LENS

MODEL NO. NCL-8

PART NO.

FRESNEL LENS MODEL NO. NCL-8	PAGE 1 / 7	DRAWING NO.	REV : A
	NIPPON CERAMIC CO., LTD.		
APPROVED BY	CHECKED BY	DRAWN BY	

SCOPE

THIS SPECIFICATION DESCRIBES A FRESNEL LENS SUPPLIED BY NIPPON CERAMIC CO., LTD.

MODEL NO.

NCL-8 : SPHERICAL SHAPE FRESNEL LENS

PHYSICAL CONFIGURATION

SEE FIGURE 1

MATERIAL

HIGH DENSITY POLYETHYLENE

OPTICAL CHARACTERISTICS

- 1) NUMBER OF ZONES : 9 ZONES
- 2) FOCAL LENGTH : 6.5 mm
- 3) FIELD OF VIEW : SEE FIGURE 2

ENVIRONMENTAL REQUIREMENTS

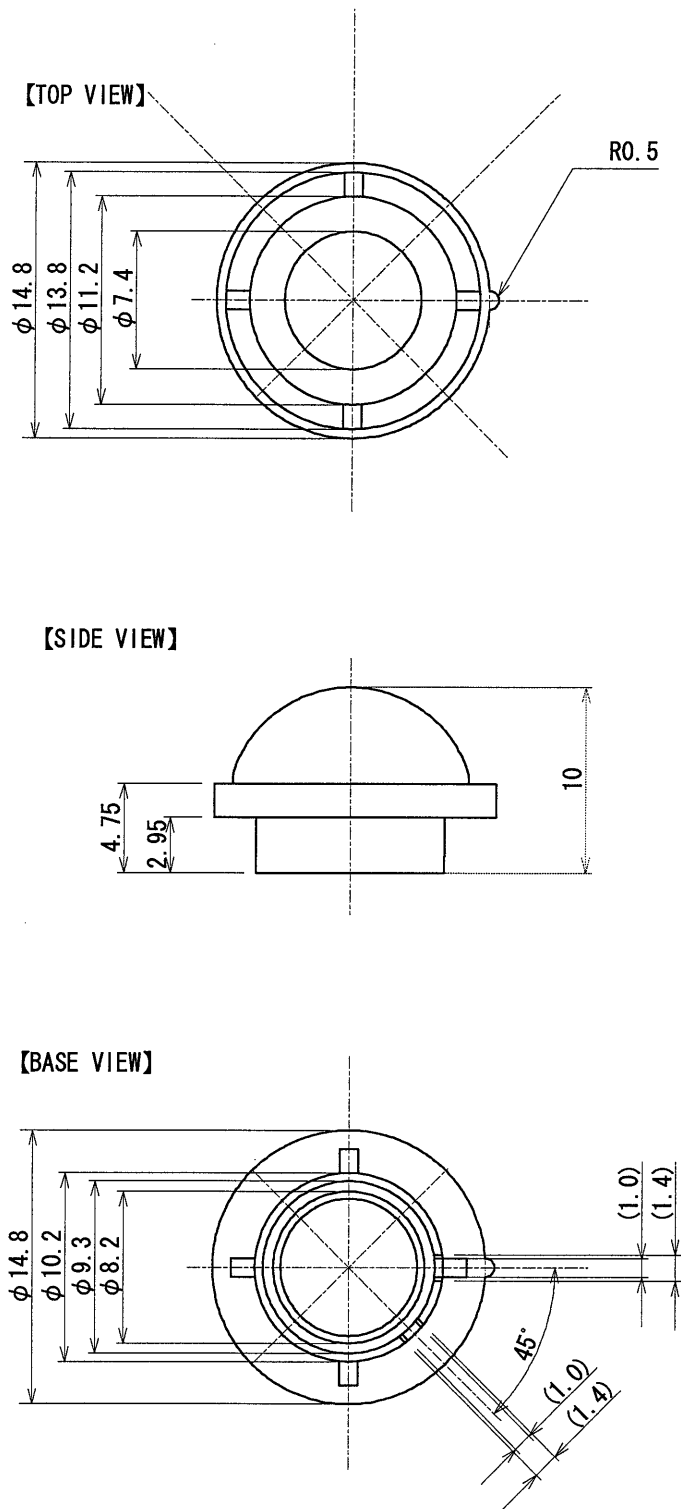
- 1) OPERATING TEMPERATURE : -20 ~ +70 °C
- 2) STORAGE TEMPERATURE : -25 ~ +75 °C

* AVOID RADIATION OF STRONG UV INCLUDED DIRECT SUNLIGHT.

MODEL NO. : NCL-8 PART NO. :	PAGE 2 / 7	DRAWING NO.	REV : A
	© NIPPON CERAMIC CO., LTD.		

DIMENSION

UNIT [mm]



— Fig.1 —

MODEL NO. : NCL-8

PAGE
3 / 7

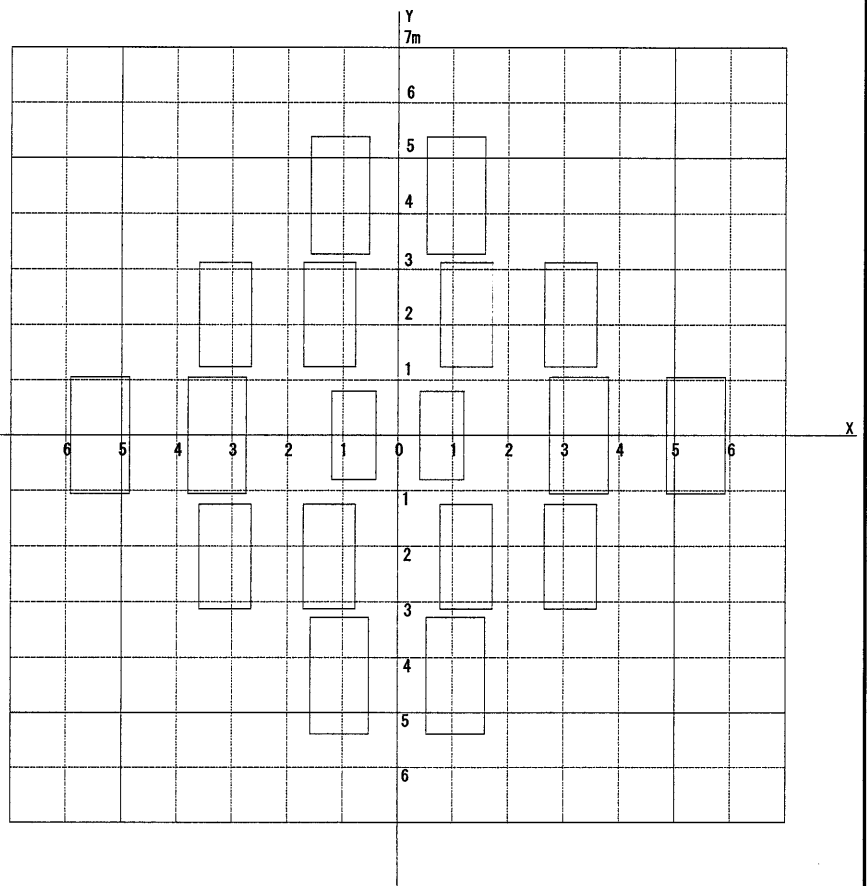
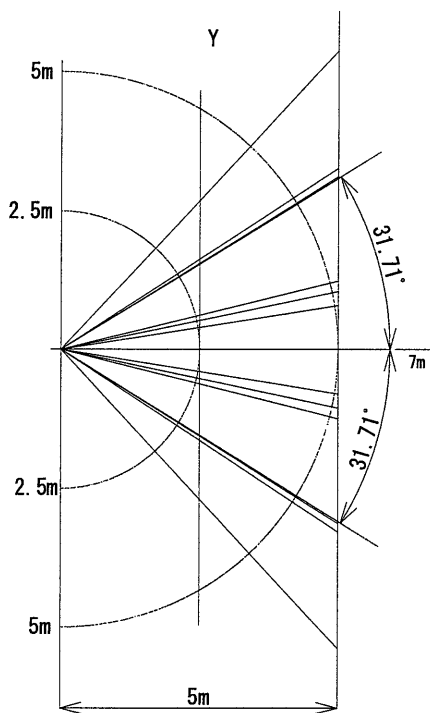
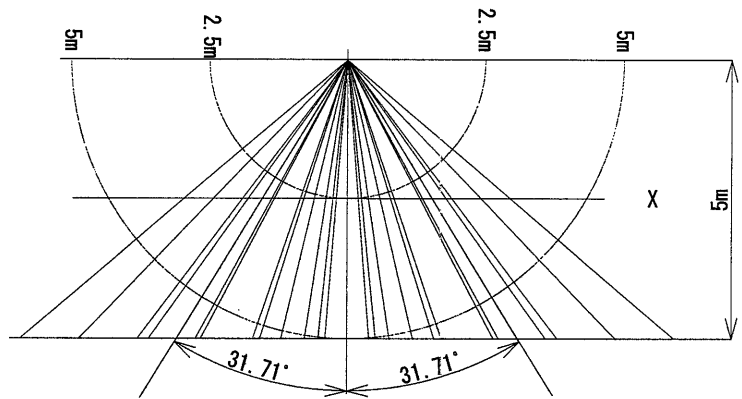
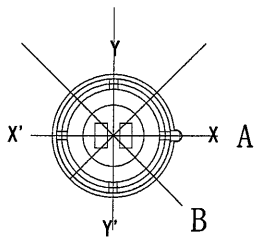
DRAWING NO.

REV :
A

PART NO. :

© NIPPON CERAMIC CO., LTD.

TAB direction A



— Fig. 2A —

MODEL NO. : NCL-8

PART NO. :

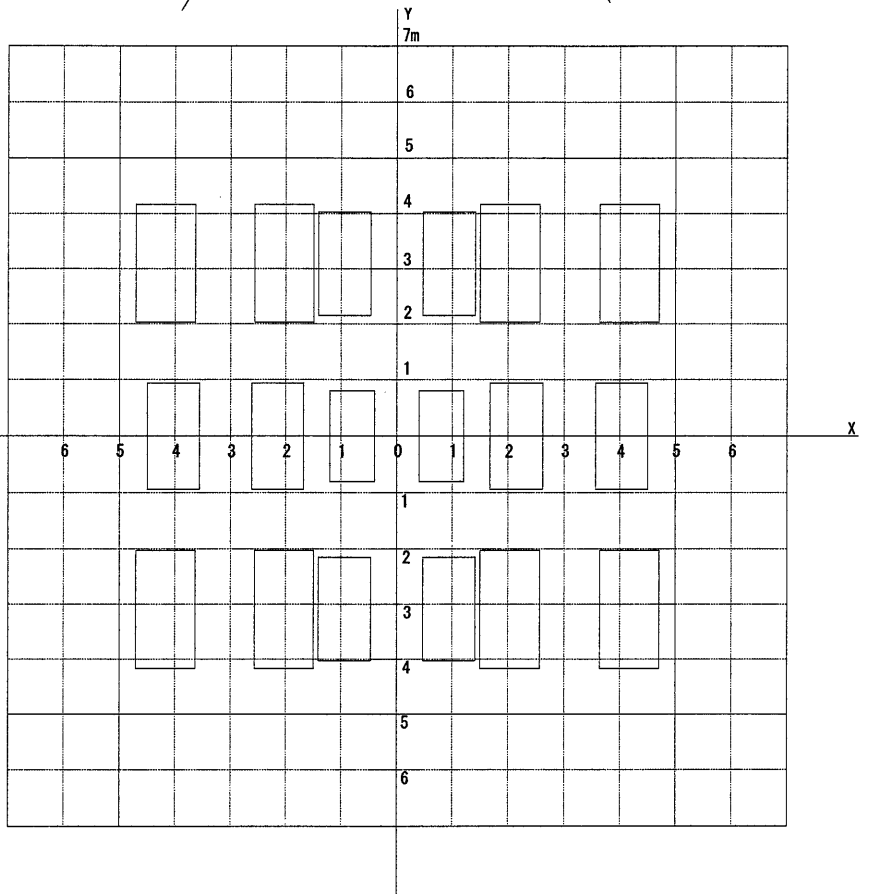
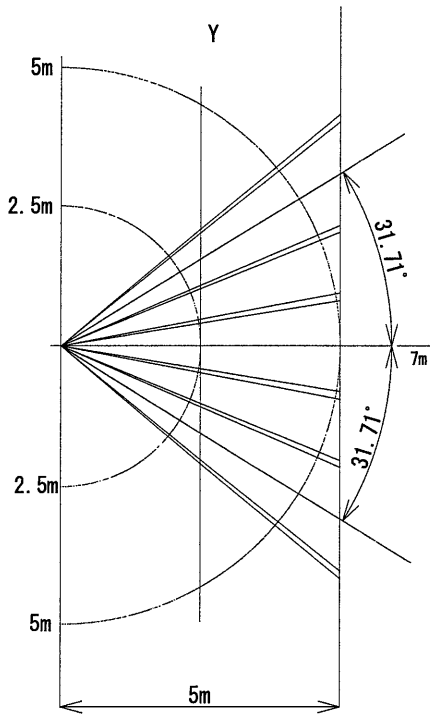
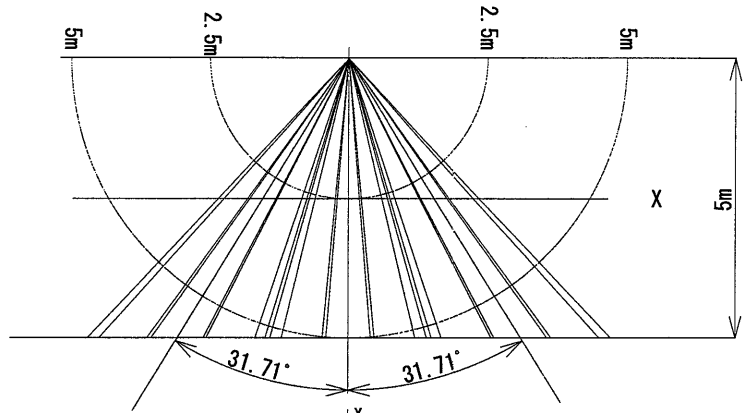
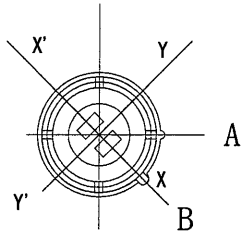
PAGE
4 / 7

DRAWING NO.

REV :
A

© NIPPON CERAMIC CO., LTD.

TAB direction B



— Fig. 2B —

MODEL NO. : NCL-8

PART NO. :

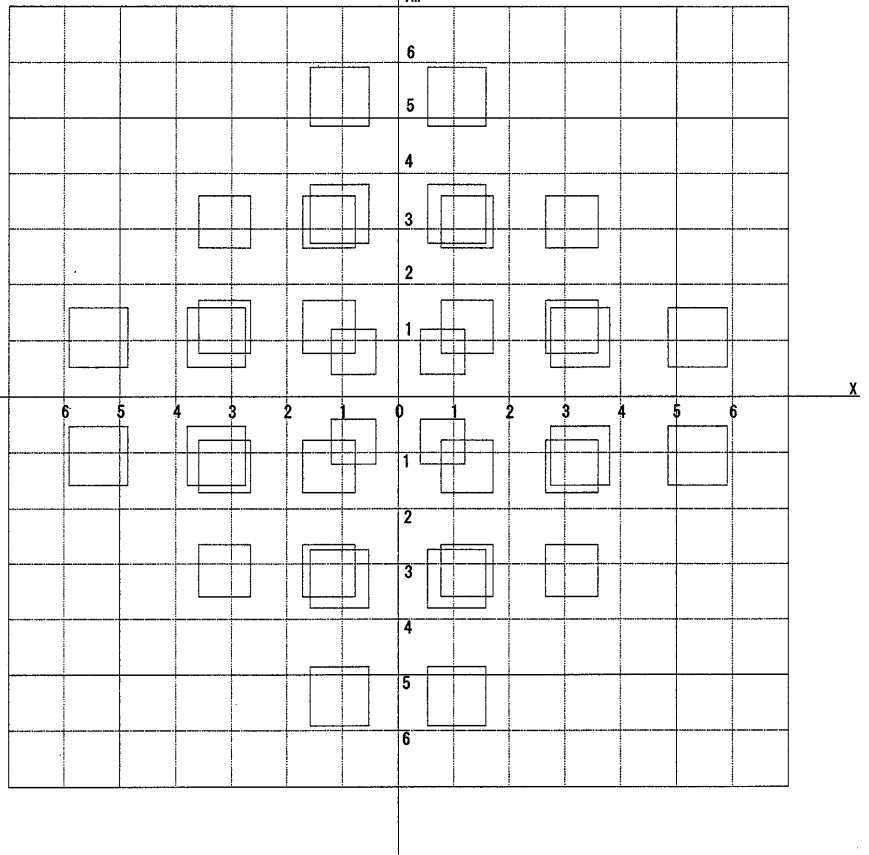
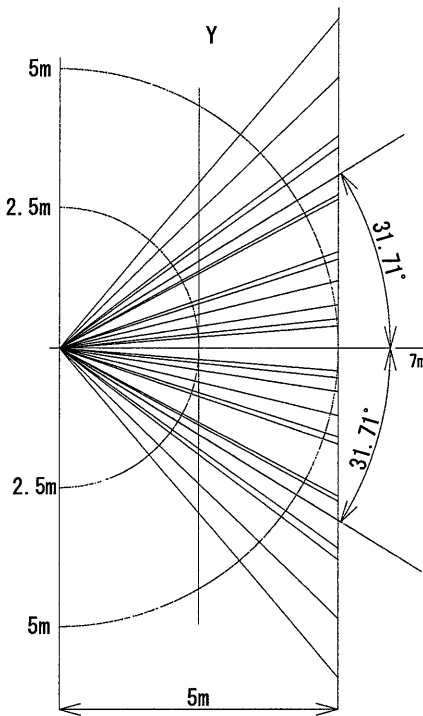
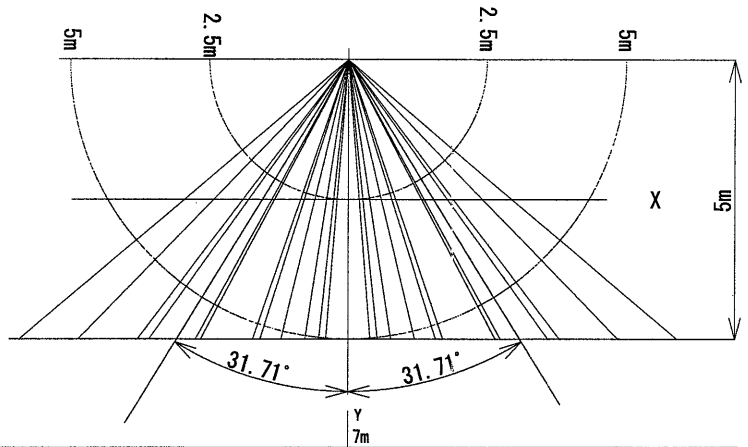
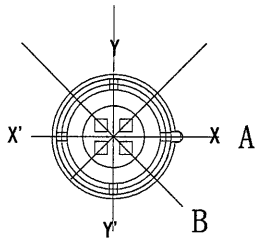
PAGE
5 / 7

DRAWING NO.

REV :
A

© NIPPON CERAMIC CO., LTD.

TAB direction A



— Fig. 2C —

MODEL NO. : NCL-8

PART NO. :

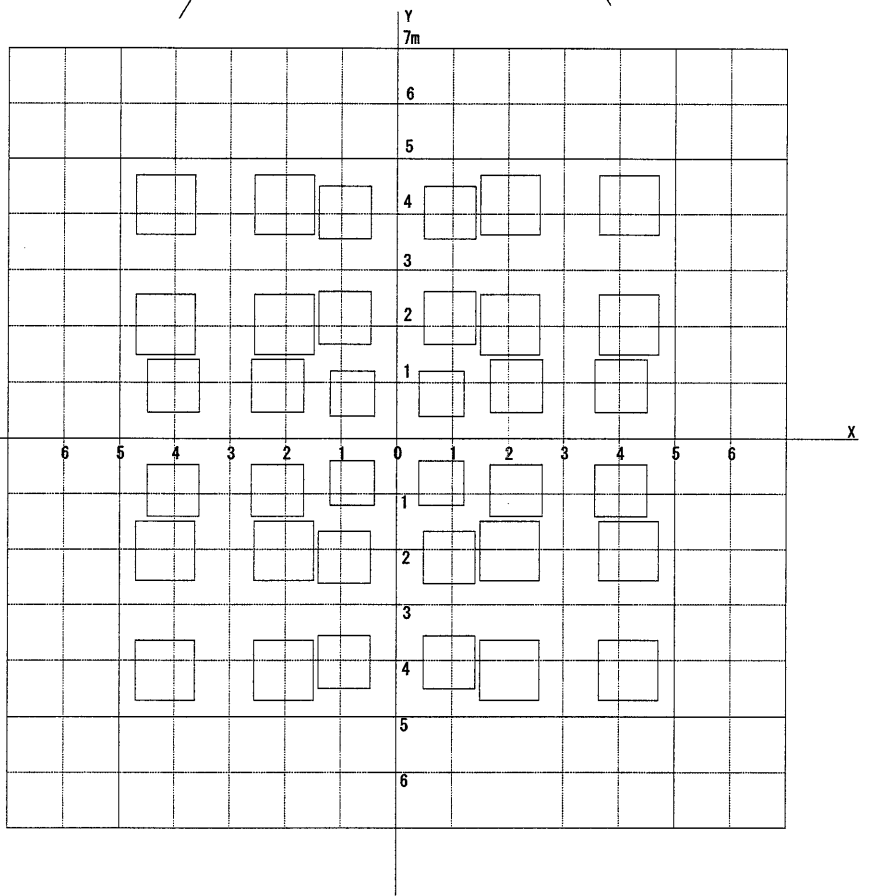
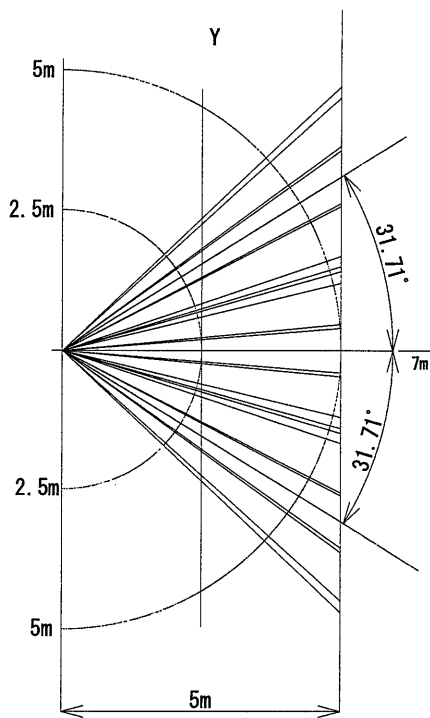
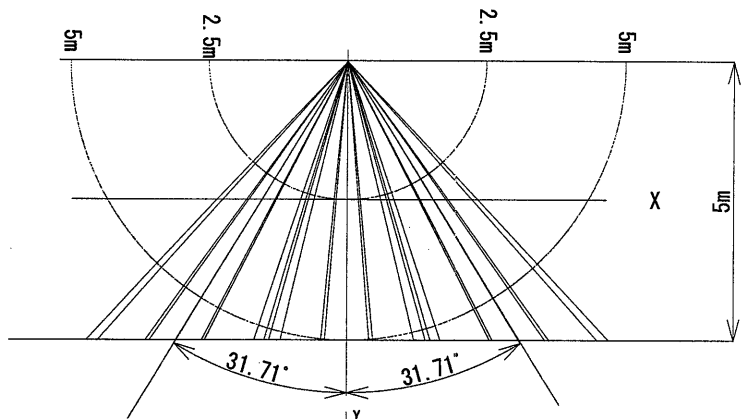
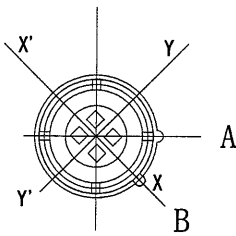
PAGE
6 / 7

DRAWING NO.

REV :
A

© NIPPON CERAMIC CO., LTD.

TAB direction B



— Fig. 2D —

MODEL NO. : NCL-8

PART NO. :

PAGE
7 / 7

DRAWING NO.

REV :
A

© NIPPON CERAMIC CO., LTD.