



Specification For Approval

承認書

客 戶 (Customer)			
品 名 (Product Name)	SPEAKER		
機 種 (Model No.)			
客戶料號 (Customer Parts No.)			
供應商料號 (Supplier Model No.)	PCXS1313040-R08W0 7-A-SM-266		
客戶承認簽章 Customer Approval Signature	In Charge	Checked	Approval

Revision History

Version	Date	Description	Author
V 00	2016.11.15	Creation	VIVIAN

紘立企業有限公司 E-mail: vecot@veco.com.tw

Vansonc Enterprise Co., Ltd. Tel: +886-2-2267 2389 Fax: +886-2-2267 2588

佛山鉸利電子有限公司 E-mail: fs_sales@veco.com.cn Office: fs_sales@veco.com.cn

Vanson Electronics(Nanhai)Co., Ltd. Tel: +86-757-8853 6828 Fax: +86-757-8853 6826

鴻立電子上海有限公司 E-mail: vesf@shtel.net.cn Office: yesi@shtel.net.cn

Vanson Electronics Shanghai Inc. Tel: +86-21-5958 5999 Fax: +86-21-5958 5678

重慶弘立電子有限公司 E-mail: cq_sales@veco.com.cn

Vanson Electronics (ChongQing)Co.,Ltd. Tel: +86-023-49521999 Fax: +86-023-49655990

合肥宏立電子有限公司 E-mail: reception@veco-hf.com

HeFei Vanson Electronics Inc. Tel: +86-551-568 9589 Fax: +86-551-568 9593

Design : VIVIAN Checked : VIVIAN Approval : VIVIAN

C O N T E N T S

※ CONDITION.	1
.....	
※ ELECTRICAL AND ACOUSTICAL SPECIFICATION.	2
.....	
※ MEASURING METHOD	3
.....	
※ FREQUENCY RESPONSE	4
.....	
※ ENVIRONMENT TEST	5
.....	
※ DIMENSIONS	6
.....	
※ Soldering Condition	7
.....	
※ Packing	8
.....	

Specification for speaker

1. CONDITION.

Test and measurement will be carried out under normal condition of temperature within 5°C to 35°C, relative humidity within 45% to 85% and air pressure of 860 mbar to 1060 mbar.

Should uncertainly arise in data obtained from the above atmosphere, control of temperature at 20°C±2°C and relative humidity within 60%and 70%, with air pressure remaining unchanged, to be enforced.

2. ELECTRICAL AND ACOUSTICAL SPECIFICATION.

2-1	Rated Input Power.	0.7W
2-2	Max Input Power.	1.0W
2-3	Rated Impedance.	8Ω ± 15%
2-4	Sound Pressure Level. (S.P.L)	90dB(0.7W/0.1m) ± 3 dB at AVE 1.0K 1.6K 2.0K 3.2K Hz
2-5	Resonance Frequency (Fo).	1000±20%Hz
2-6	Frequency Range.	F0~20kHz.
2-7	Distortion	Less than 5% at 2KHz input Rated Power
2-8	Magnet	Rare earth permanent (SMCO) magnet 6*1 mm
2-9	Polarity	When positive voltage is applied to the terminal marked (+), diaphragm should move to the front.
2-10	Appearance	Should not exist any obstacle to be harmful to normal operation; damages, cracks, rusts and distortions, etc.
2-11	Weight.	1.1g
2-12	Temperature	Operating temperature: -40°C to +105°C Storage temperature: -40°C to +105°C

Specification for speaker

3. MEASURING METHOD

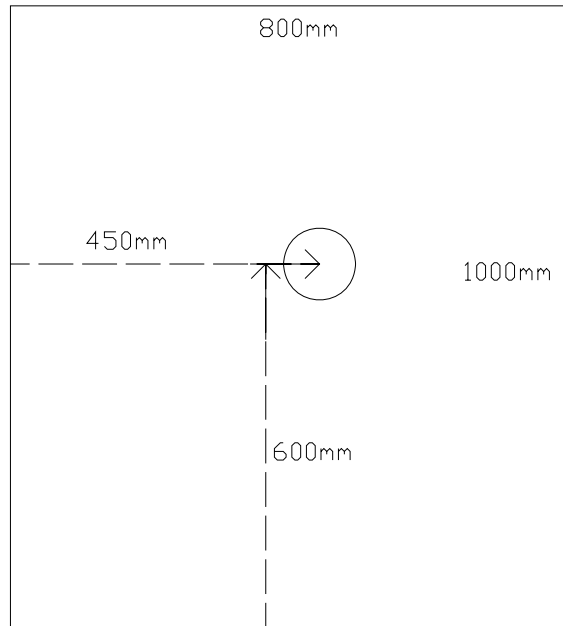


FIG.1

3.1 Block Diagram For Measurement Method.

Standard test condition of speaker

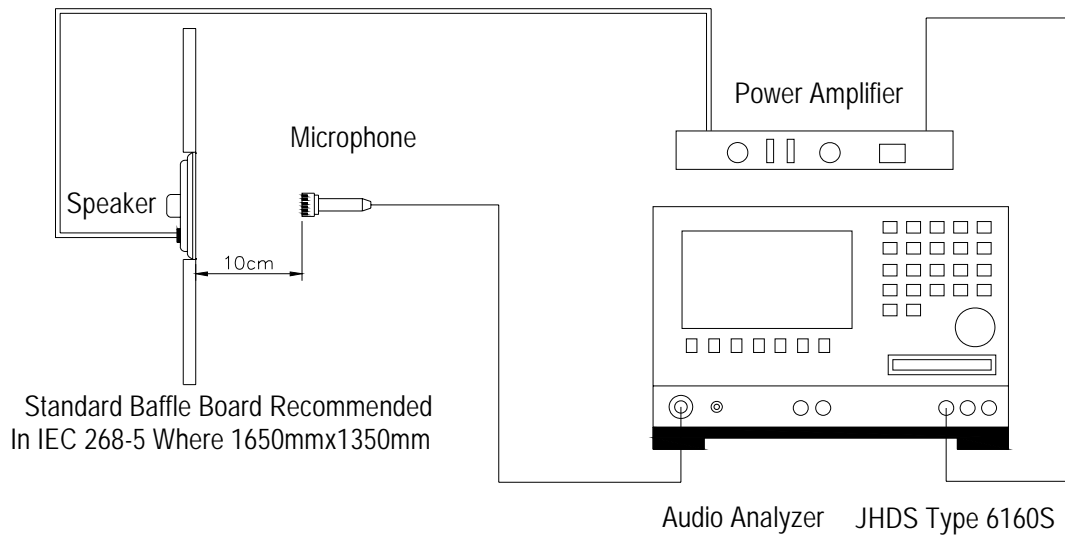


FIG.2

Specification for speaker

4. Frequency Response :

The swept sine-wave frequency response of a Loud speaker should ideally not deviate more than indicated per Fig.3

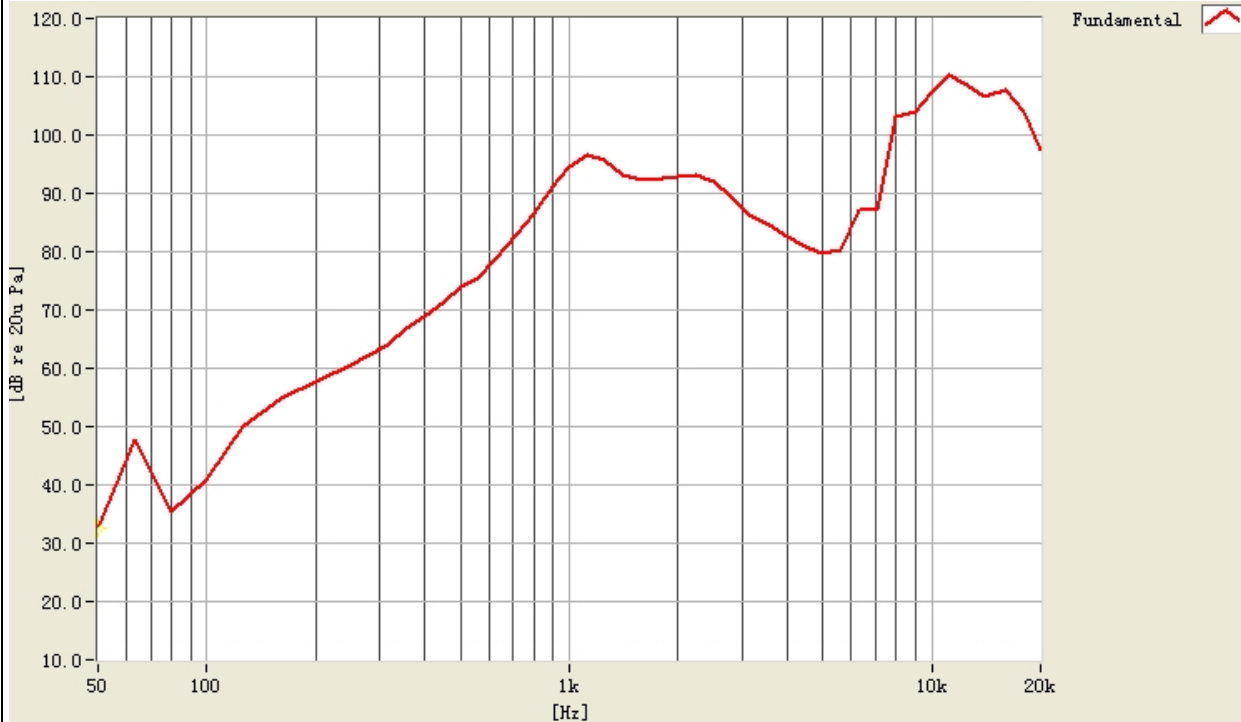


FIG.3

Specification for speaker

5. ENVIRONMENT TEST

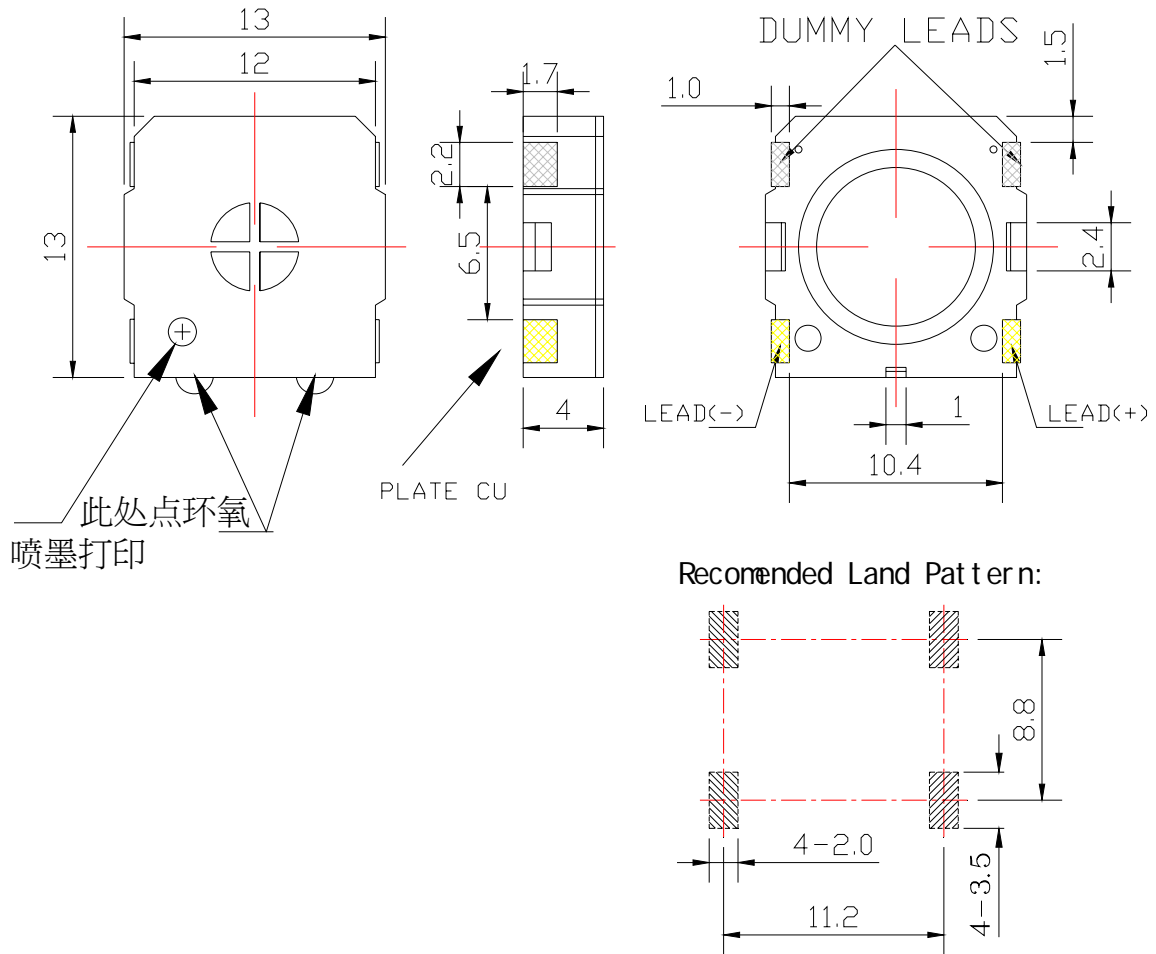
ITEM		SPECIFICATIONS
01	High temp. Test	Keep 96 hours at $+105^{\circ}\text{C}\pm 3^{\circ}\text{C}$ and leave 3 hours in normal temperature and then check
02	Low temp. Test	Keep 96 hours at $-40^{\circ}\text{C}\pm 3^{\circ}\text{C}$ and leave 3 hours in normal temperature and then check
03	Humidity test	Keep 96 hours at $+40^{\circ}\text{C}\pm 3^{\circ}\text{C}$ relative humidity 92-95% and leave 3 hours in normal temperature and then checked.
04	Temp./Humidity cycle	<p>The part shall be subjected 5 cycles. One cycle shall be 12 hours and consist of;</p>
05	Thermal cycle test.	Low temperature: $-40^{\circ}\text{C}\pm 3^{\circ}\text{C}$, temperature: $+105^{\circ}\text{C}\pm 3^{\circ}\text{C}$, cycle: 1 hour/cycle each, and then keep 5 cycles in a room.
06	Vibration	10~55~10Hz sin-wave sweep 15min. 5G(constant) X,Y, Z 3 direction. 2 hours each, total 6 hours.
07	Fix drop test	Fix on jig. Then drop from 152cm height to the concrete floor X,y, z 6 direction. 5 times each, total 30 times.
08	Free drop test	Free drop from 100cm height to the concrete floor X,Y, Z 6 direction. 1 times each, total 6 times.
09	Load test	Rated Power White noise is applied for 96 hours
10	Max Power test	Max power 1 min. on - 2 min. off 10 cycles.
11	Terminal strength test	Capable of withstand 1kg load for 30 seconds without resulting in any damage or rejection.

Criterion :

After these test , the change of S.P.L shall be within ± 3 dB

Specification for speaker

6.Dimensions



Unit:mm Tol:±0.5

CAUTION : WASH NOT ALLOWED!

8	LEADS	4	PLATE AU	
7	Cap	1	LCP	
6	Diaphragm	1	PI	
5	VOICE COIL	1	Cu	6.5
4	Plate	1	SPCC	
3	Magnet	1	SmCo	
2	PCB Terminal	1	Cu	
1	Frame	1	LCP	
The material must be meet to GU-001				
PART NO.	PART NAME	Q'TY	MATERIAL	REMARK

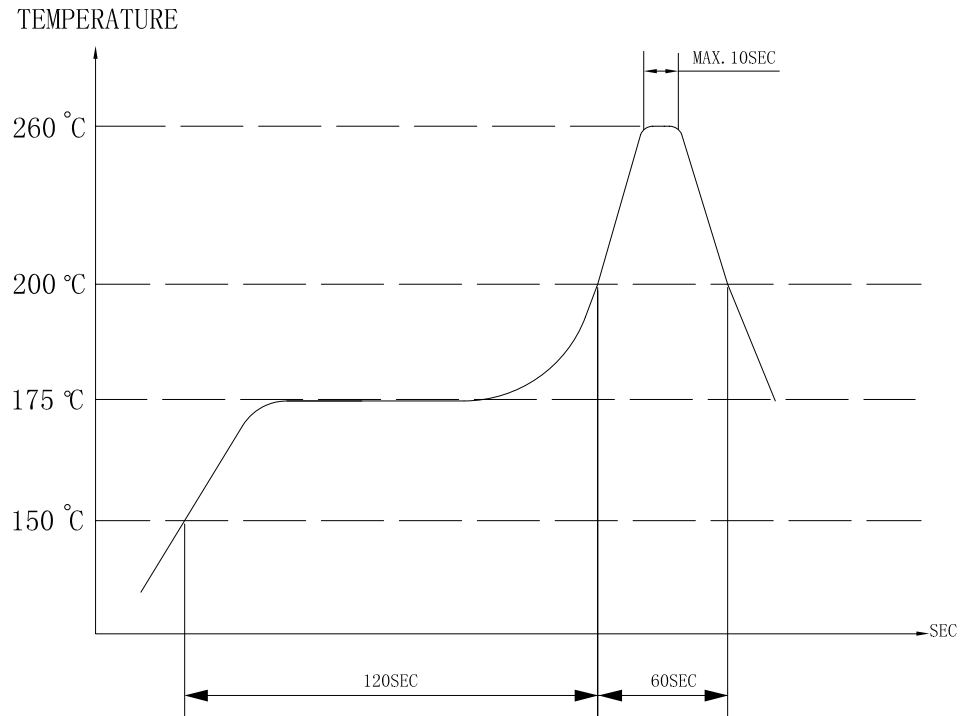
Specification for speaker

7.Soldering Condition

(1)Recommendable reflow soldering condition is as follows

(Reflow soldering is twice)

Note:It is requested that reflow soldering should be executed after heat of product goes down to normal.



Heat resistant line

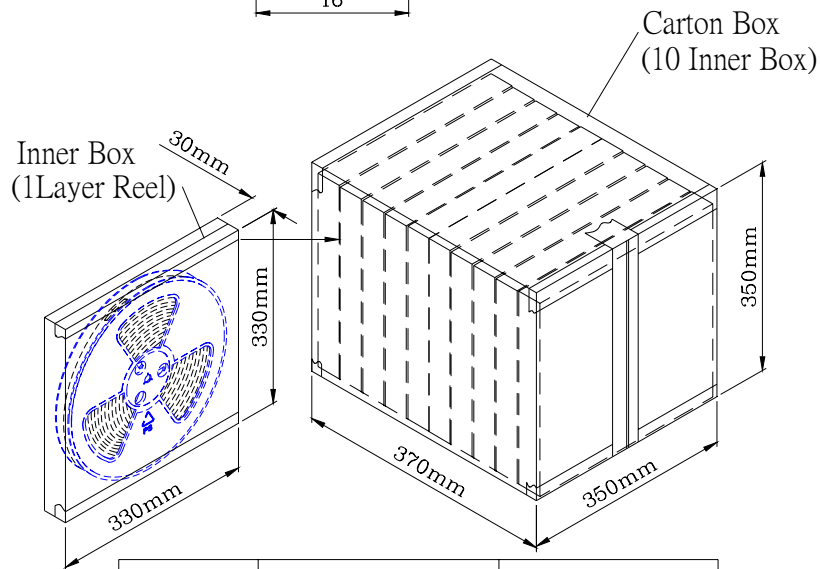
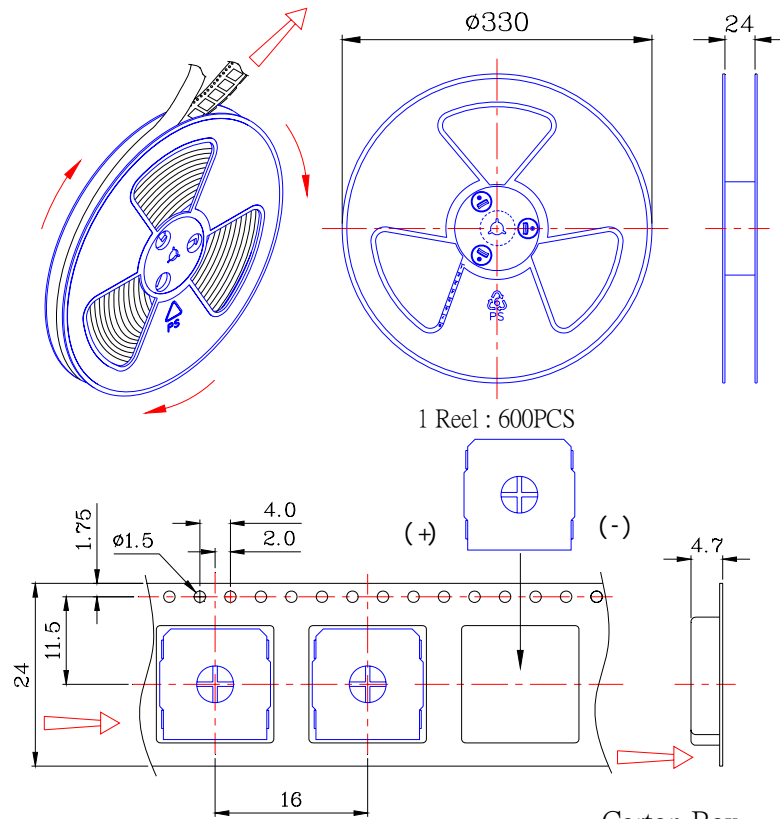
(Used when heat resistant reliability test is performed)

(2)Manual soldering

Manual soldering temperature 350° C within 5 sec.

Specification for speaker

8.Dimensions



Inner Box	330mmx330mmx30mm	1x600PCS=600PCS
Carton Box	350mmx350mmx370mm	10x600PCS=6,000PCS