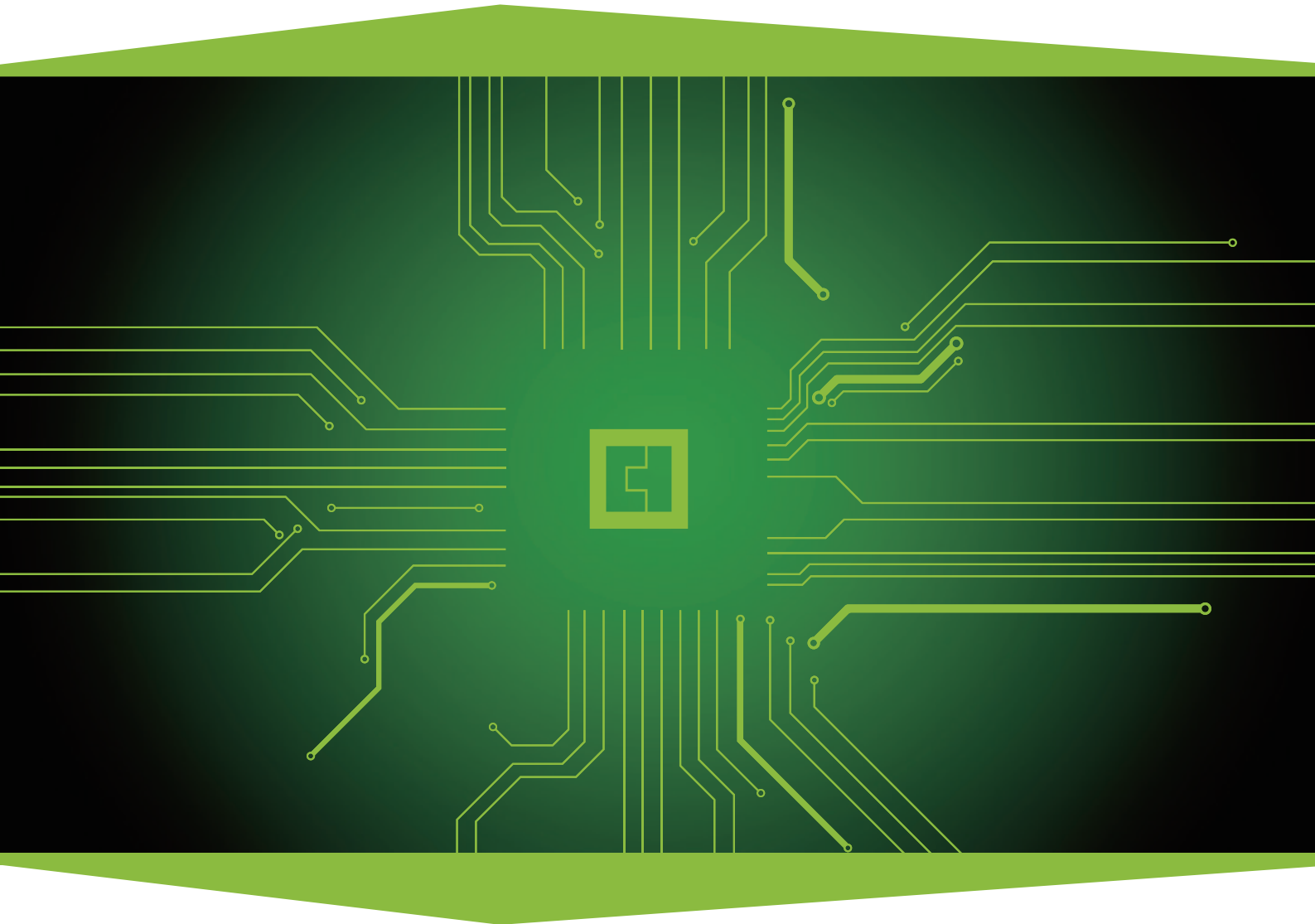

CATALOGUE

www.ct-micro.com



CT Micro
International Corporation

CT Micro International Corporation is a **C**ustomer Oriented and **T**echnology Driven Company.

CT Micro was formed with focus on delivering cutting edge technology and built that right into our products and solutions which can then be implemented by the most demanding applications from our global customers.

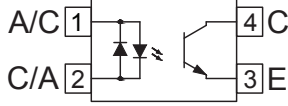
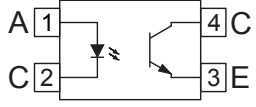
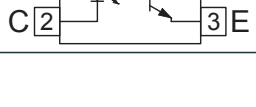
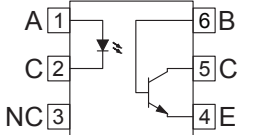
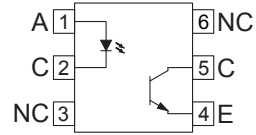
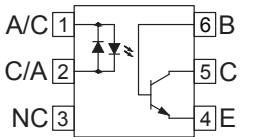
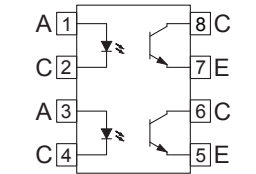
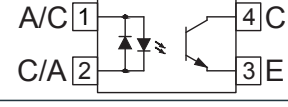
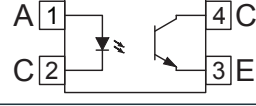
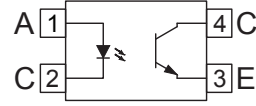
CT Micro is managed by a team of highly skilled and technically sound professionals who is dedicated in Design, Manufacturing, Marketing and Sales (DM²S) of Optoelectronics and Discrete MOSFET products. All top management and technical team members have more than 15 years of products knowledge and thus can help realize any design right from component selection up to actual finished product implementation with minimum effort and time. Among some of the end market applications segment served are Consumer Electronics, Industrial & Home Appliances.

Knowing that any best applications and products require matching top notch quality components, **CT Micro** implements stringent design requirements on all of our new products as well as world class quality control during our manufacturing process. To us, creating a reliable and efficient products is just a way we show our responsibility to our clients, society and the world.

www.ct-micro.com



Transistor

Part Number	Circuit	Package	V _{ISO} (rms) (V)	Input	Channel	CTR* (%)	BV _{CEO} Min. (V)	T _{OPR} (°C)
CT814		DIP-4	5000	AC	1	20~300	80	-55~110
CT816		DIP-4	5000	DC	1	50~600**	80	-55~110
CT817		DIP-4	5000	DC	1	50~600	35	-55~110
4N25/4N26 4N27/4N28		DIP-6	5000	DC	1	Min. 10	80	-55~110
4N35/4N36 4N37/4N38		DIP-6	5000	DC	1	Min. 20	80	-55~110
H11A1 H11A2 H11A3 H11A4 H11A5		DIP-6	5000	DC	1	Min. 10	80	-55~110
CNY17		DIP-6	5000	DC	1	40~320	80	-55~110
CNY17F		DIP-6	5000	DC	1	40~320	80	-55~110
H11AA1 H11AA2 H11AA3 H11AA4		DIP-6	5000	AC	1	Min. 10	80	-55~110
CT827		DIP-8	5000	DC	2	50~600	80	-55~125
CT354		MFP-4L	3750	AC	1	20~300	80	-55~110
CT357		MFP-4L	3750	DC	1	50~600**	80	-55~110
CTH217		Half Pitch MFP-4L	3750	DC	1	50~600**	80	-55~125

*CTR option available.

**Low input current option available.

▪ Forming option available for DIP-4, DIP-6 and DIP-8.

PHOTO COUPLER

Part Number	Circuit	Package	V _{ISO} (rms) (V)	Input	Channel	CTR* (%)	BV _{CEO} Min. (V)	T _{OPR} (°C)
CTH214		Half Pitch MFP-4L	3750	AC	1	20~300	80	-55~110
CT1010-W/CT1011-W CT1012-W/CT1013-W CT1014-W/CT1015-W CT1016-W/CT1017-W CT1018-W/CT1019-W		Long Creepage- 4L	5000	DC	1	50~600**	80	-55~125
CT1110-W/CT1111-W CT1112-W/CT1113-W CT1114-W/CT1115-W CT1116-W/CT1117-W CT1118-W/CT1119-W		Long Creepage- 5L	5000	DC	1	50~600**	80	-55~125
CTP17		DFN	2500	DC	1	100~400	80	-55~125
CTD207 CTD208 CTD211 CTD213 CTD217		SOP-8	3750	DC	2	20~600	80	-55~125
CTM131		MFP	3750	DC	1	50~600	80	-55~115
CTH247		Half Pitch MFP-16L	3750	DC	4	50~400	80	-55~125

*CTR option available.

**Low input current option available.

▪ Forming option available for DIP-4, DIP-6 and DIP-8.

High Speed Analog

Part Number	Circuit	Package	V _{ISO} (rms) (V)	Data Rate (Mbit/s)	CTR* (%)	CMR (V/μs)	T _{PHL} /T _{PLH} Max. (μs)	T _{OPR} (°C)
6N135		DIP-8	5000	1	7~50	1000	1.5/1.5	-55~100
6N136		DIP-8	5000	1	19~50	1000	0.8/0.8	-55~100
CT2502		DIP-8	5000	1	15~22	1000	1.5/1.5	-55~100
CT2503		DIP-8	5000	1	>12	1000	0.8/0.8	-55~100
CT4502		DIP-8	5000	1	19~50**	1000	0.8/0.8	-55~100
CT4503		DIP-8	5000	1	19~50**	15000	0.8/0.8	-55~100
CT4504		DIP-8	5000	1	26~65	15000	0.5/1.1	-55~100
CT2530		DIP-8	5000	1	7~50	1000	1.5/1.5	-55~100
CT2531		DIP-8	5000	1	19~50	5000	0.8/0.8	-55~100
6N138		DIP-8	5000	0.1	Min. 300	1000	10/35	-55~100
6N139		DIP-8	5000	0.1	Min. 500	1000	1/7	-55~100
CTW135		Widebody-8L	5000	1	5~50	1000	1.5/1.5	-55~100
CTW136		Widebody-8L	5000	1	15~50	1000	0.8/0.8	-55~100
CTW4502		Widebody-8L	5000	1	15~50	15000	0.8/0.8	-55~100
CTW4503		Widebody-8L	5000	1	15~50	15000	0.8/0.8	-55~100
CTW138		Widebody-8L	5000	0.1	Min. 300	1000	10/35	-55~100
CTW139		Widebody-8L	5000	0.1	Min. 500	1000	1/7	-55~100
CTM452		MFP-5L	3750	1	20~50	5000	0.8/0.8	-55~100
CTM453		MFP-5L	3750	1	20~50	15000	0.8/0.8	-55~100

PHOTO COUPLER

Part Number	Circuit	Package	V _{ISO} (rms) (V)	Data Rate (Mbit/s)	CTR* (%)	CMR (V/μs)	T _{PHL} /T _{PLH} Max. (μs)	T _{OPR} (°C)
CTS452		SDIP-6	5000	1	20~50	5000	0.8/0.8	-55~100
CTS453		SDIP-6	5000	1	20~50	15000	0.8/0.8	-55~100
CT0452		SOP-8	3750	1	19~50**	5000	0.8/0.8	-55~125
CT0453		SOP-8	3750	1	19~50**	15000	0.8/0.8	-55~125
CT0500		SOP-8	3750	1	7~50	1000	1.5/1.5	-55~125
CT0501		SOP-8	3750	1	19~50	1000	0.8/0.8	-55~125
CT0530		SOP-8	3750	1	7~50	1000	1.5/1.5	-55~125
CT0531		SOP-8	3750	1	19~50	1000	0.8/0.8	-55~125
CTL452		Long Creepage -5L	5000	1	7~50	1000	1.5/1.5	-55~125
CTL453		Long Creepage -5L	5000	1	19~50	1000	0.8/0.8	-55~125

*CTR option available.

**Low input current option available.

▪ Forming option available for DIP-8, Widebody-8L and SDIP-6.

High Voltage Transistor

Part Number	Circuit	Package	V _{ISO} (rms) (V)	Input	Channel	CTR* (%)	BV _{CEO} Min. (V)	T _{OPR} (°C)
CT851		DIP-4	5000	DC	1	50~600	350	-55~110
CT451		MFP-4L	3750	DC	1	50~600	350	-55~125

*CTR option available.

▪ Forming option available for DIP-4.

Darlington

Part Number	Circuit	Package	V _{ISO} (rms) (V)	Channel	CTR* (%)	BV _{CEO} Min. (V)	T _{OPR} (°C)
CT815		DIP-4	5000	1	600~7500	40	-55~110
4N29/4N30 4N31/4N32 4N33		DIP-6	5000	1	Min. 50	55	-55~100
H11B1 H11B2 H11B3		DIP-6	5000	1	Min. 100	55	-55~100
CT825		DIP-8	5000	2	Min. 600	40	-55~110
CT415		MFP-4L	3750	1	Min. 600	40	-55~110

*CTR option available.

▪ Forming option available for DIP-4, DIP-6 and DIP-8.

High Voltage Darlington

Part Number	Circuit	Package	V _{ISO} (rms) (V)	Channel	CTR* (%)	BV _{CEO} Min. (V)	T _{OPR} (°C)
CT852		DIP-4	5000	1	1000~15000	350	-55~110
CT452		MFP-4L	3750	1	1000~15000	350	-55~110

*CTR option available.

▪ Forming option available for DIP-4.

High Speed Digital

Part Number	Circuit	Package	V_{ISO} (rms) (V)	Data Rate (Mbit/s)	V_{CC} (V)	I_{FT} Max. (mA)	CMR (V/ μ s)	T_{PHL}/T_{PLH} Max. (ns)	T_{OPR} (°C)
6N137		DIP-8	5000	10	7	5	1000	75/75	-55~100
CT2601		DIP-8	5000	10	7	5	5000	75/75	-55~100
CT2611		DIP-8	5000	10	7	5	15000	75/75	-55~100
CT2630		DIP-8	5000	10	7	5	5000	75/75	-55~100
CT2631		DIP-8	5000	10	7	5	10000	75/75	-55~100
CTW137		Widebody-8L	5000	10	7	5	1000	75/75	-55~100
CTW2601		Widebody-8L	5000	10	7	5	5000	75/75	-55~100
CTM600		MFP-5L	3750	10	7	5	-	75/75	-55~100
CTM601		MFP-5L	3750	10	7	5	5000	75/75	-55~100
CTM611		MFP-5L	3750	10	7	5	20000	75/75	-55~100
CTS600		SDIP-6	5000	10	7	5	-	75/75	-55~100
CTS601		SDIP-6	5000	10	7	5	5000	75/75	-55~100
CTS611		SDIP-6	5000	10	7	5	10000	75/75	-55~100
CT0601		SOP-8	3750	10	7	5	5000	75/75	-55~125
CT0611		SOP-8	3750	10	7	5	10000	75/75	-55~125
CT0630		SOP-8	3750	10	7	5	5000	75/75	-55~125
CT0631		SOP-8	3750	10	7	5	10000	75/75	-55~125
CT0201*		SOP-8	3750	5	7	5	1000	150/110	-55~125
CT0231*		SOP-8	3750	5	7	5	1000	150/110	-55~125

* Totem pole output.

▪ Forming option available for DIP-8 Widebody-8L and SDIP-6.

Photo Triac | Zero Cross

Part Number	Circuit	Package	V _{ISO} (rms) (V)	I _{FT} Max. (mA)	V _{DRM} (V)	Static DV/DT (V/μs)		T _{OPR} (°C)
						Min.	Typ.	
CT3031-4L CT3032-4L CT3033-4L		DIP-4	5000	15 10 5	250	1000	-	-55~100
CT3041-4L CT3042-4L CT3043-4L		DIP-4	5000	15 10 5	400	1000	-	-55~100
CT3061-4L CT3062-4L CT3063-4L		DIP-4	5000	15 10 5	600	1000	-	-55~100
CT3081-4L CT3082-4L CT3083-4L		DIP-4	5000	15 10 5	800	600	-	-55~100
CT3031-5L CT3032-5L CT3033-5L		DIP-5	5000	15 10 5	250	1000	-	-55~100
CT3041-5L CT3042-5L CT3043-5L		DIP-5	5000	15 10 5	400	1000	-	-55~100
CT3061-5L CT3062-5L CT3063-5L		DIP-5	5000	15 10 5	600	1000	-	-55~100
CT3081-5L CT3082-5L CT3083-5L		DIP-5	5000	15 10 5	800	600	-	-55~100
CT3031 CT3032 CT3033		DIP-6	5000	15 10 5	250	1000	-	-55~100
CT3041 CT3042 CT3043		DIP-6	5000	15 10 5	400	1000	-	-55~100
CT3061 CT3062 CT3063		DIP-6	5000	15 10 5	600	1000	-	-55~100
CT3081 CT3082 CT3083		DIP-6	5000	15 10 5	800	600	-	-55~100

▪ Forming option available for DIP-4, DIP-5 and DIP-6.

PHOTO COUPLER

Part Number	Circuit	Package	V _{ISO} (rms) (V)	I _{FT} Max. (mA)	V _{DRM} (V)	Static DV/DT (V/μs)		T _{OPR} (°C)
						Min.	Typ.	
CTM3031 CTM3032 CTM3033		MFP-4L	3750	15 10 5	250	1000	-	-55~100
CTM3041 CTM3042 CTM3043		MFP-4L	3750	15 10 5	400	1000	-	-55~100
CTM3061 CTM3062 CTM3063		MFP-4L	3750	15 10 5	600	1000	-	-55~100
CTM3081 CTM3082 CTM3083		MFP-4L	3750	15 10 5	800	600	-	-55~100

▪ Forming option available for DIP-4, DIP-5 and DIP-6.

Photo Power Triac

Part Number	Circuit	Package	V _{ISO} (rms) (V)	I _{FT} Max. (mA)	V _{DRM} (V)	I _{T(RMS)} (A)	I _{TSM} (A)	T _{OPR} (°C)
CTT0213 CTT1213 CTT2213 CTT3213		DIP-7	5000	10	600	0.3 0.6 0.9 1.2	3 6 9 12	-40~85
CTT0214 CTT1214 CTT2214 CTT3214		DIP-7	5000	5	600	0.3 0.6 0.9 1.2	3 6 9 12	-40~85
CTT0223 CTT1223 CTT2223 CTT3223		DIP-7	5000	10	600	0.3 0.6 0.9 1.2	3 6 9 12	-40~85
CTT0224 CTT1224 CTT2224 CTT3224		DIP-7	5000	5	600	0.3 0.6 0.9 1.2	3 6 9 12	-40~85

▪ Forming option available for DIP-7.

Photo Triac | Random Phase

Part Number	Circuit	Package	V _{ISO} (rms) (V)	I _{FT} Max. (mA)	V _{DRM} (V)	Static DV/DT (V/μs)		T _{OPR} (°C)
						Min.	Typ.	
CT3010-4L CT3011-4L CT3012-4L		DIP-4	5000	15 10 5	250	-	100	-55~100
CT3021-4L CT3022-4L CT3023-4L		DIP-4	5000	15 10 5	400	-	100	-55~100
CT3051-4L CT3052-4L CT3053-4L		DIP-4	5000	15 10 5	600	1000	-	-55~100
CT3010-5L CT3011-5L CT3012-5L		DIP-5	5000	15 10 5	250	-	100	-55~100
CT3020-5L CT3021-5L CT3022-5L CT3023-5L		DIP-5	5000	30 15 10 5	400	-	100	-55~100
CT3051-5L CT3052-5L CT3053-5L		DIP-5	5000	15 10 5	600	1000	-	-55~100
CT3010 CT3011 CT3012		DIP-6	5000	15 10 5	250	-	100	-55~100
CT3020 CT3021 CT3022 CT3023		DIP-6	5000	30 15 10 5	400	-	100	-55~100
CT3051 CT3052 CT3053		DIP-6	5000	15 10 5	600	1000	-	-55~100
CTM3010 CTM3011 CTM3012		MFP-4L	3750	15 10 5	250	-	100	-55~100
CTM3021 CTM3022 CTM3023		MFP-4L	3750	15 10 5	400	-	100	-55~100
CTM3051 CTM3052 CTM3053		MFP-4L	3750	15 10 5	600	1000	-	-55~100

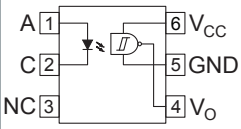
▪ Forming option available for DIP-4, DIP-5 and DIP-6.

IGBT Gate Driver

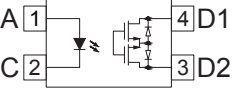
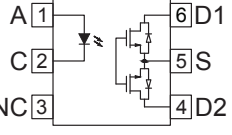
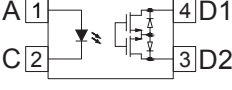
Part Number	Circuit	Package	V _{ISO} (rms) (V)	Output Current (A)	Supply Current Max. (mA)	Pulse Width Distortion Max. (ns)	T _{PHL} /T _{PLH} Max. (μs)	T _{OPR} (°C)
CT350		DIP-8	5000	2.5	3.7	100	300/300	-40~100
CT3120		DIP-8	5000	2.5	3.7	100	300/300	-40~100
CT250		DIP-8	5000	1	3	45	200/200	-40~100
CT3150		DIP-8	5000	1	3	45	200/200	-40~100
CTW3120		Widebody-8L	5000	2.5	3.7	100	300/300	-40~100
CTM314		MFP-5L	3750	0.6	3	45	200/200	-40~100
CTS700		SDIP-6	5000	2.5	3	100	500/500	-40~100
CTS701		SDIP-6	5000	0.6	3	45	200/200	-40~100

▪ Forming option available for DIP-8, Widebody-8L and SDIP-6.

Schmitt Trigger

Part Number	Circuit	Package	V _{ISO} (rms) (V)	Data Rate (Mbit/s)	Hysteresis Ratio	Supply Voltage (V)	I _{F(ON)} Max. (mA)	T _{OPR} (°C)
H11L1 H11L2 H11L3		DIP-6	5000	1	0.5~0.9	3~15	1.6 10 5	-55~100

Solid State Relay

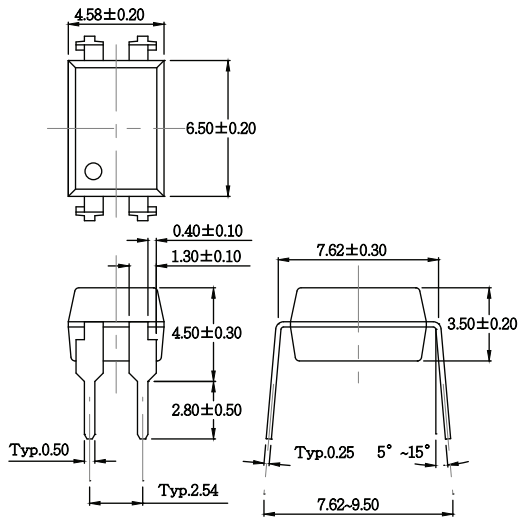
Part Number	Circuit	Package	V _{ISO} (rms) (V)	I _{F(ON)} Max. (mA)	Load Voltage (V)	Ron Max. (Ω)			T _{OPR} (°C)
						A	B	C	
CTR212-4L		DIP-4	5000	3	60	1.4	-	-	-40~85
CTR213-4L		DIP-4	5000	3	250	8	-	-	-40~85
CTR214-4L		DIP-4	5000	3	400	16	-	-	-40~85
CTR216-4L		DIP-4	5000	3	600	30	-	-	-40~85
CTR212-6L		DIP-6	5000	3	60	1.4	0.7	3.5	-40~85
CTR213-6L		DIP-6	5000	3	250	8	4	2	-40~85
CTR214-6L		DIP-6	5000	3	400	16	8	4	-40~85
CTR216-6L		DIP-6	5000	3	600	30	15	7.5	-40~85
CTR214-M4		MFP	3750	3	400	40	-	-	-40~125

▪ Forming option available for DIP-4 and DIP-6.

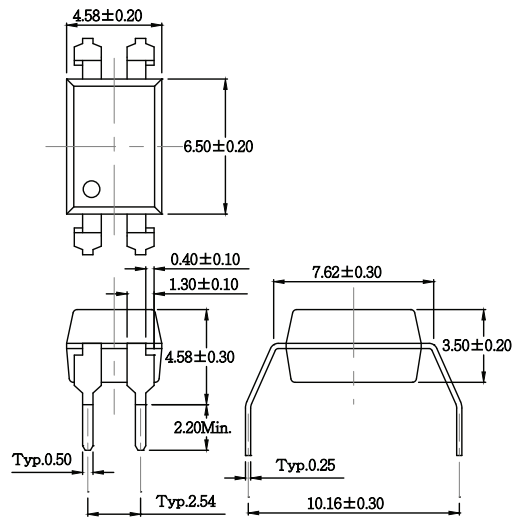
Package Outline Drawing

Dimensions in "mm"

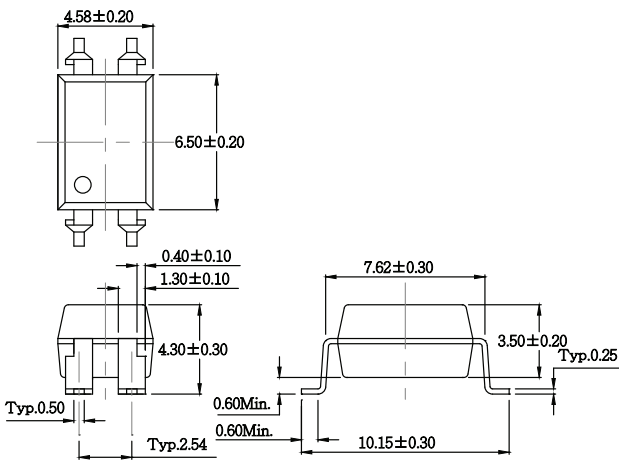
DIP-4 (Standard)



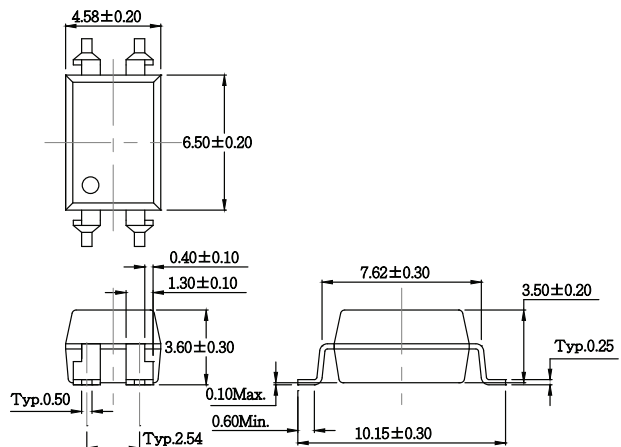
DIP-4 (M Type)



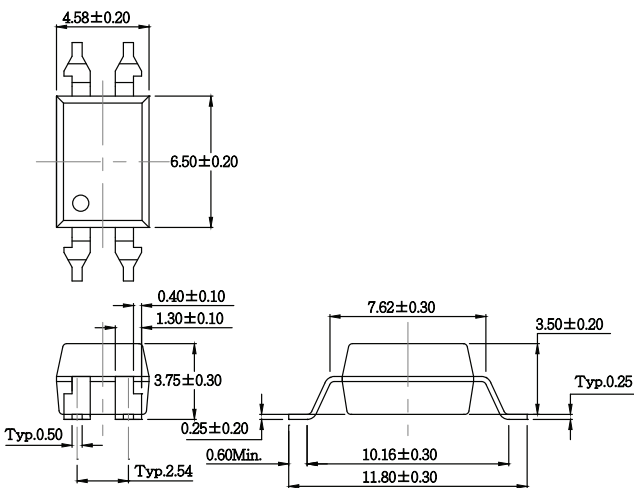
DIP-4 (S Type)



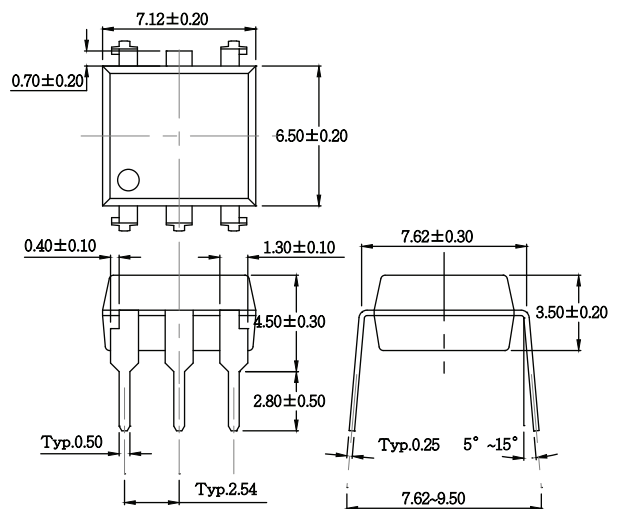
DIP-4 (SL Type)



DIP-4 (SLM Type)



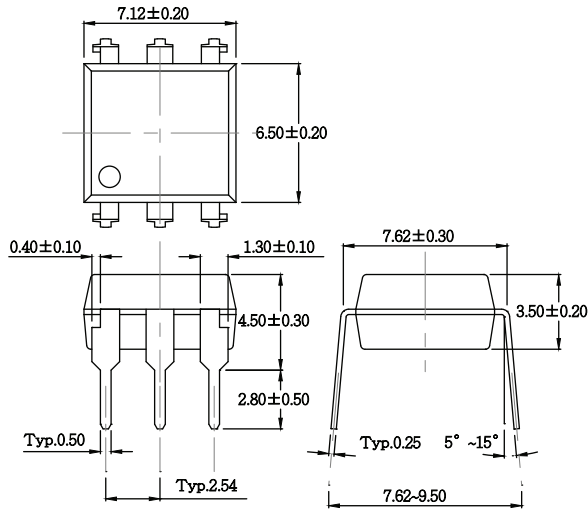
DIP-5



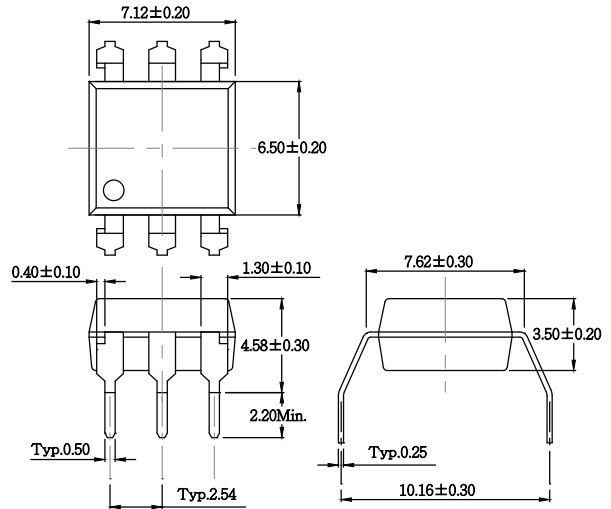
Package Outline Drawing

Dimensions in "mm"

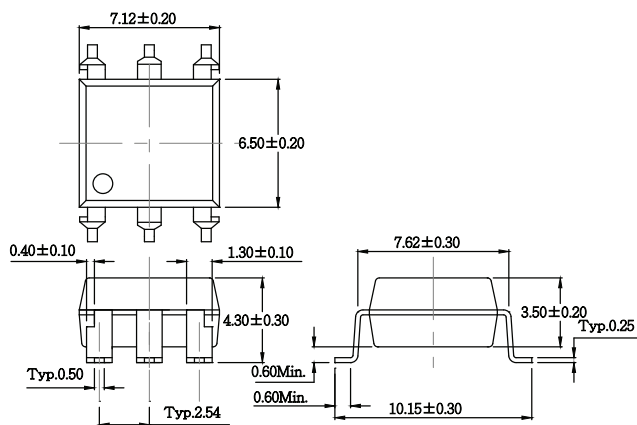
DIP-6 (Standard)



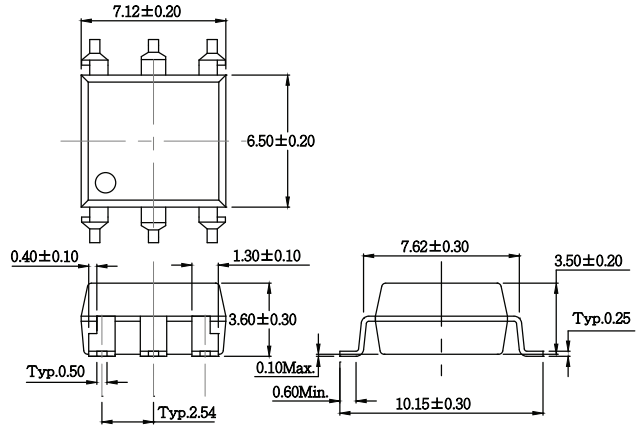
DIP-6 (M Type)



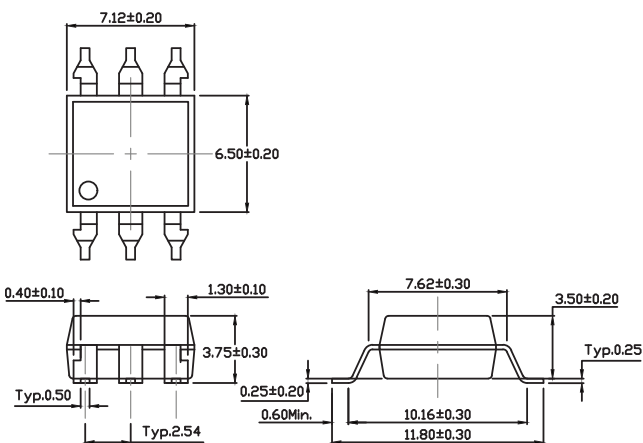
DIP-6 (S Type)



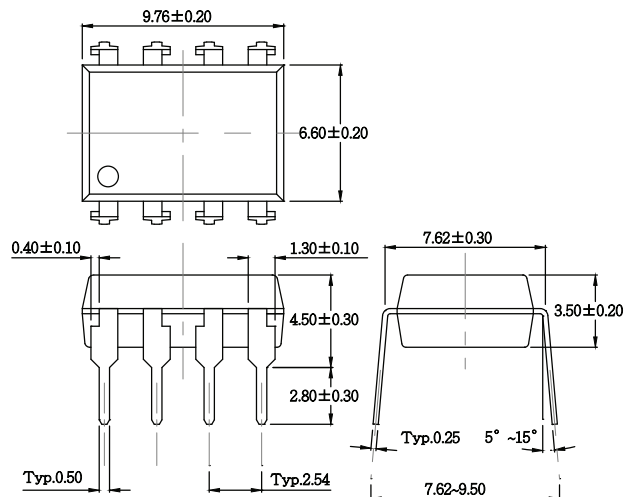
DIP-6 (SL Type)



DIP-6 (SLM Type)



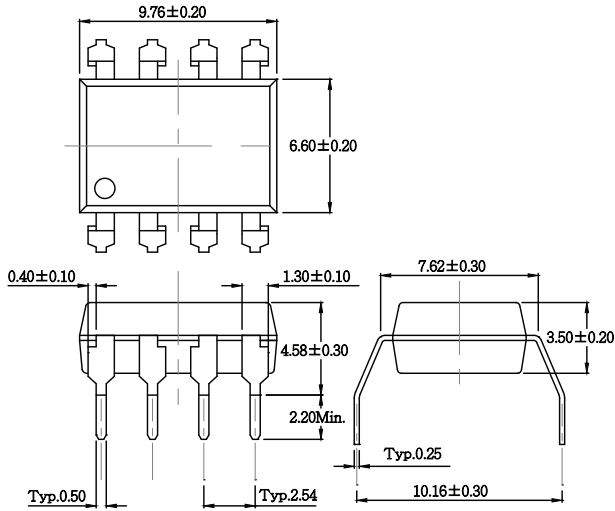
DIP-8 (Standard)



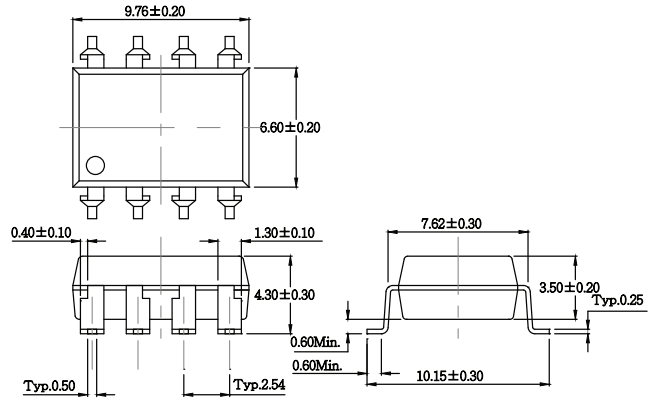
Package Outline Drawing

Dimensions in "mm"

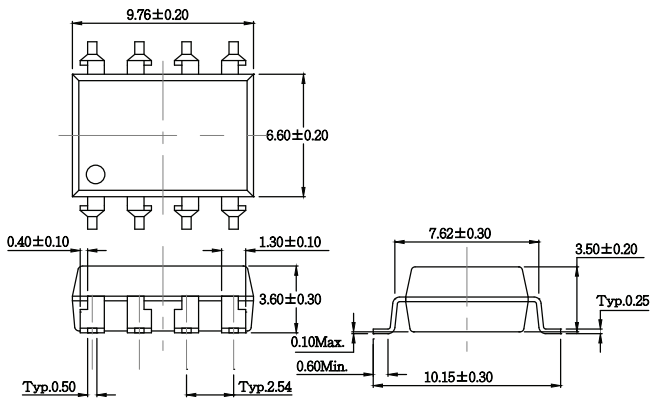
DIP-8 (M Type)



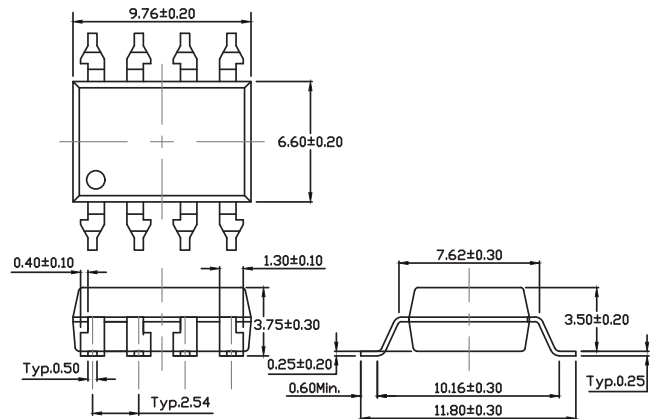
DIP-8 (S Type)



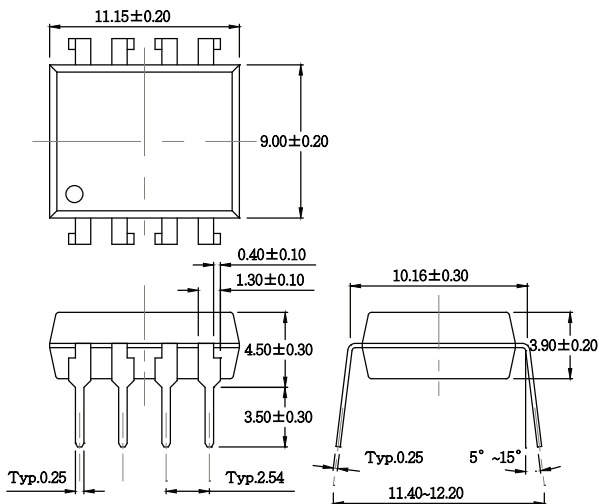
DIP-8 (SL Type)



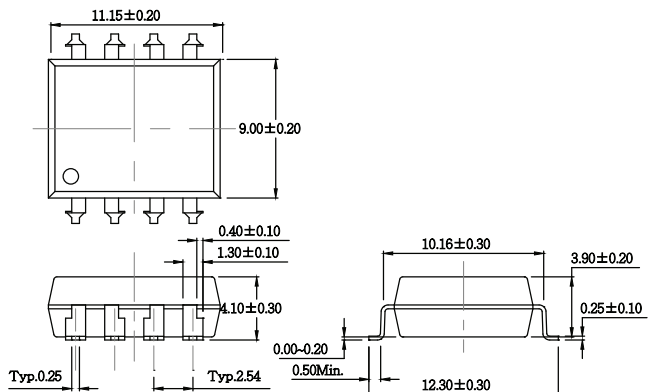
DIP-8 (SLM Type)



Widebody-8L (Standard)



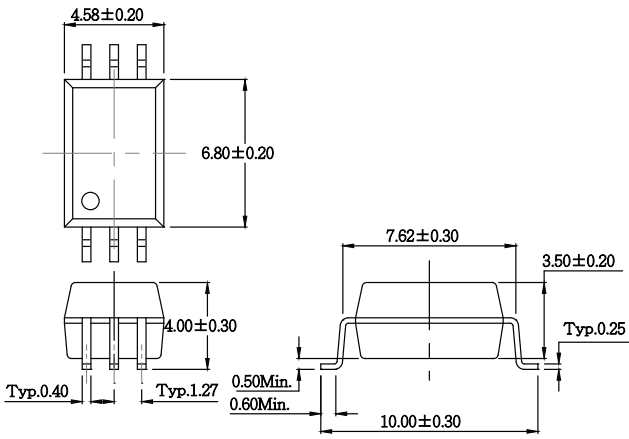
Widebody-8L (S Type)



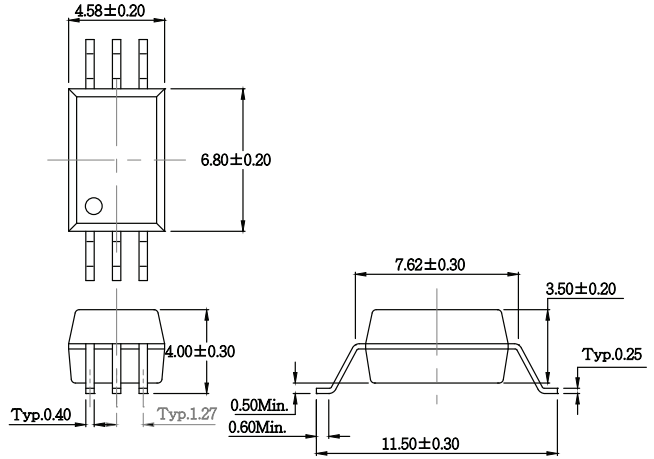
Package Outline Drawing

Dimensions in "mm"

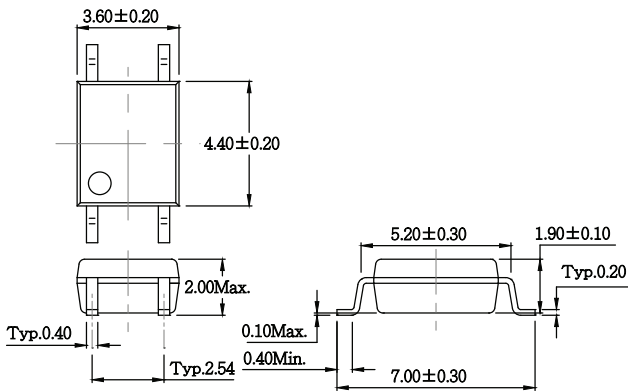
SDIP-6



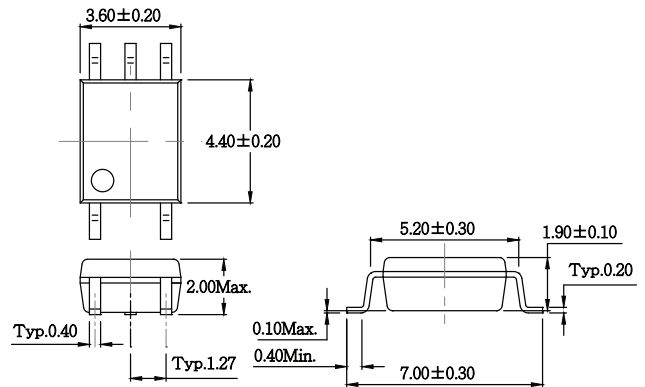
SDIP-6 (M Type)



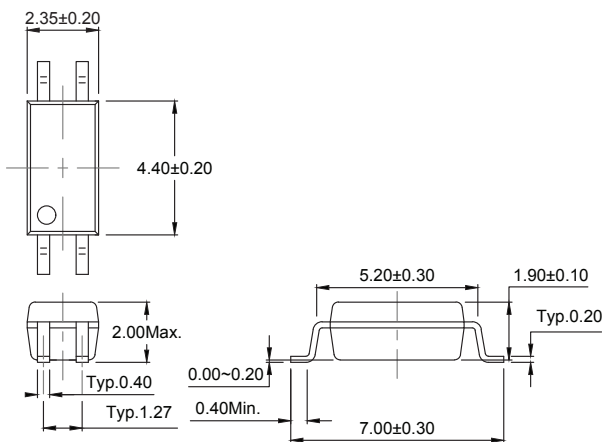
MFP-4L



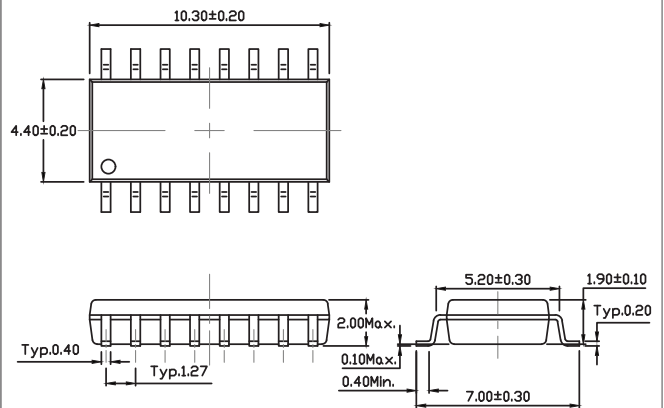
MFP-5L



Half Pitch MFP-4L



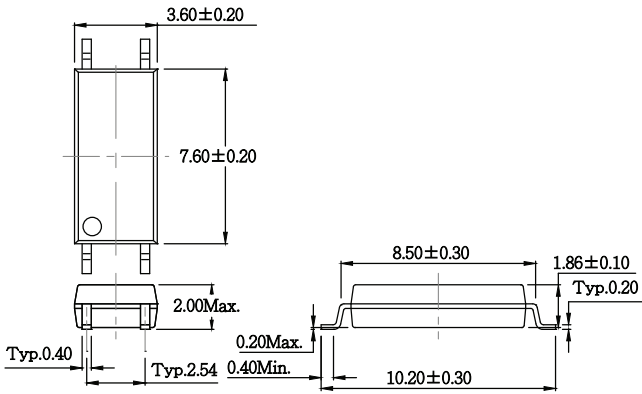
Half Pitch MFP-16L



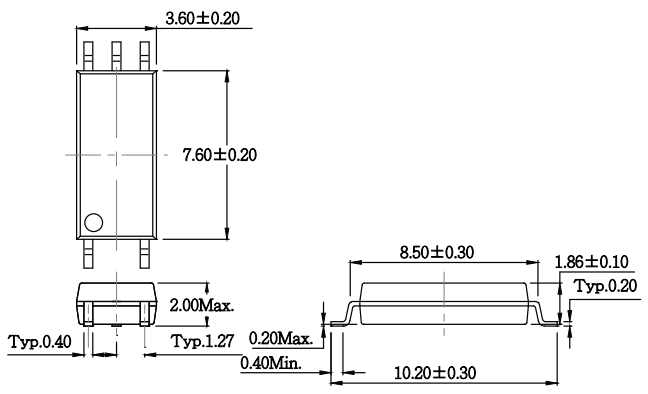
Package Outline Drawing

Dimensions in "mm"

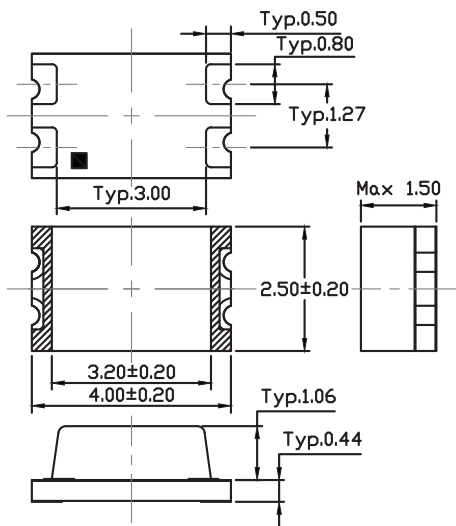
Long Creepage-4L



Long Creepage-5L



DFN



SOP-8

