

THE POWER INSIDE.

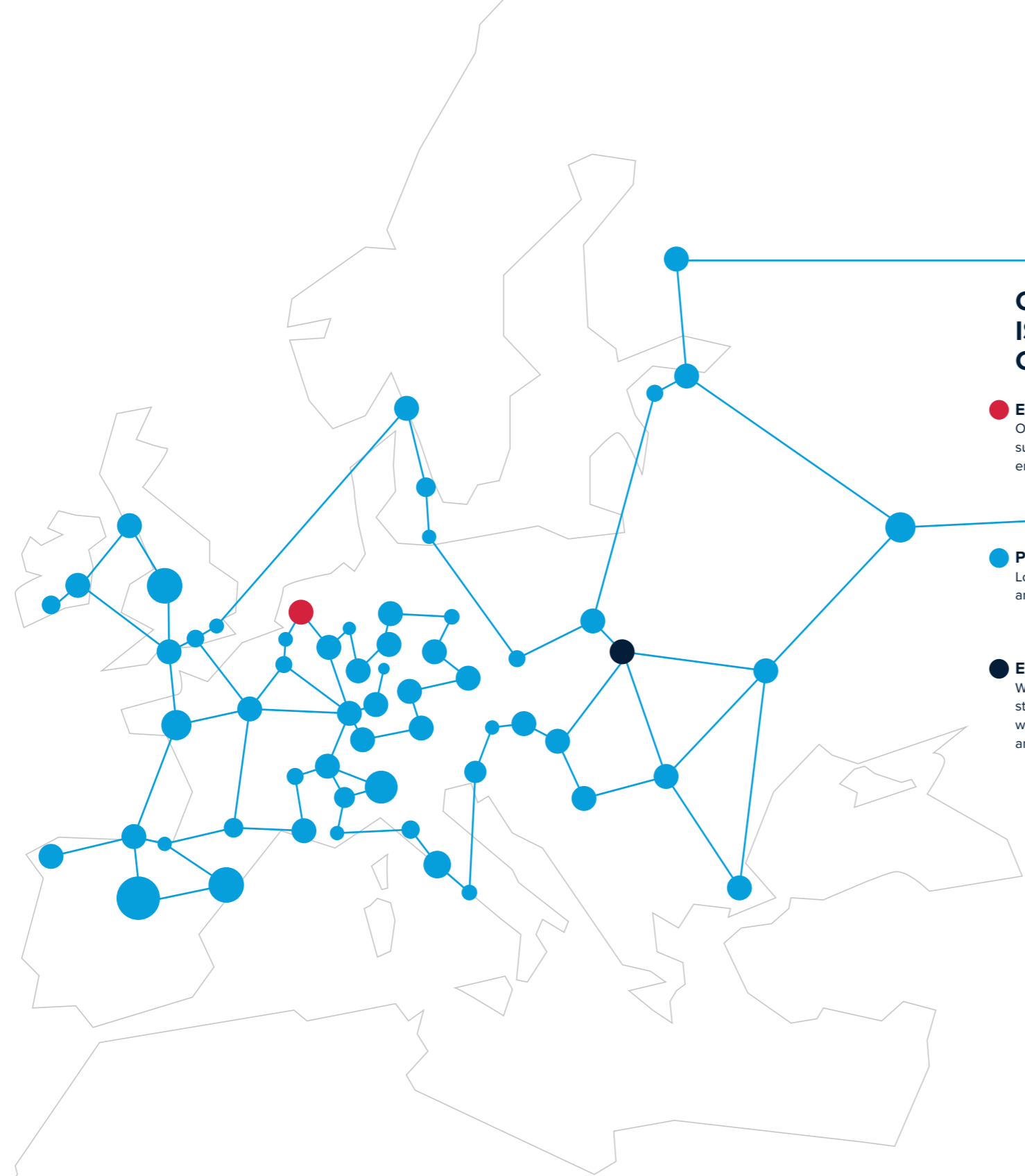
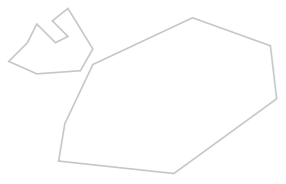
Lumotech

LUMOTECH **THE POWER INSIDE.**

The Lumotech name is a benchmark of quality in the European LED lighting industry.

Reliability, efficacy and perfection in lighting performance are critical to the commercial success of quality light fixtures, while confidence in system warranty is an increasingly important business consideration for manufacturers.

Lumotech's uncompromising focus on engineering excellence makes it the driver company of choice for discerning designers, specifiers and end-users of LED lighting.



OUR ENTIRE BUSINESS IS DESIGNED TO BE CLOSER TO YOU.

- European headquarters**
Our intimate knowledge of market dynamics drives superior product design. Closeness to customers ensures excellent support.
- Pan-European distribution network**
Local support for your business, no matter where you are located in Europe.
- European manufacturing**
We manufacture our drivers to the highest quality standards in our own facility in Poland. This, together with our configurable product designs, means that we are an exceptionally responsive and flexible partner.

ENGINEERED FOR DURABILITY

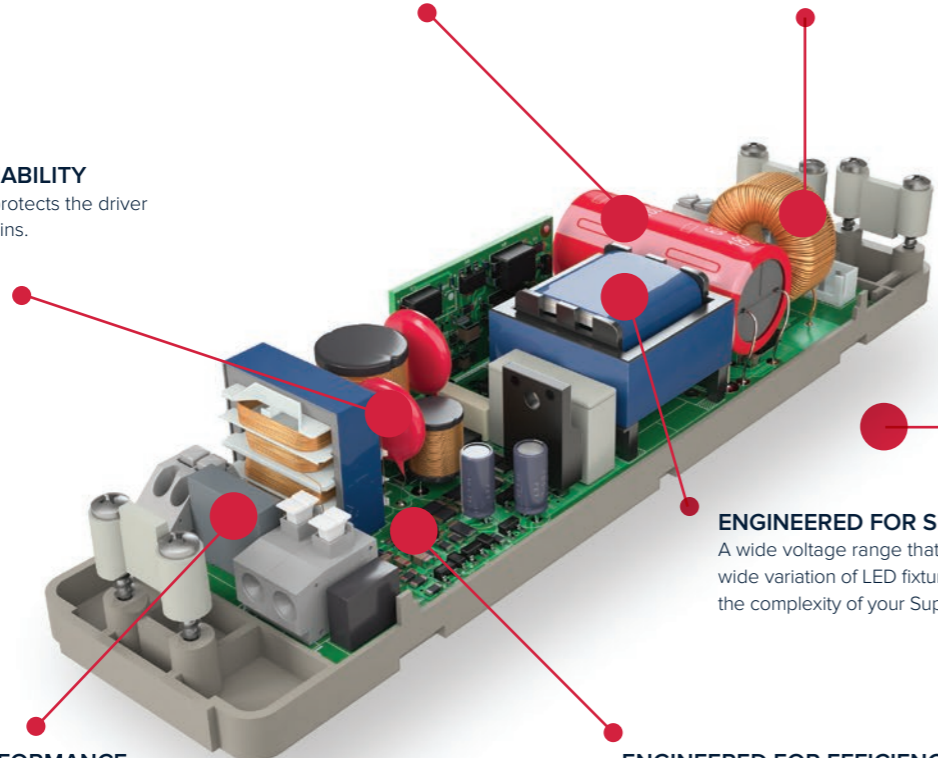
Large highest commercial grade electrolytic capacitors on the output side, specified for 10,000 hours at 105 degrees. Within the driver we have a self-regulating temperature design ensuring our confident 5 year warranty.

ENGINEERED FOR PERFORMANCE

Lumotech's low ripple design creates a very stable power output for flicker-free lighting and smooth dimming. Making your LED lighting perform to the highest possible standards.

ENGINEERED FOR RELIABILITY

An active surge suppressor protects the driver from disturbances on the mains.



ENGINEERED FOR SIMPLICITY

A wide voltage range that can power a wide variation of LED fixtures. Taking out the complexity of your Supply chain.

ENGINEERED FOR PERFORMANCE

No use of electrolytic capacitors on the input side, creating a low inrush current with guaranteed minimal circuit breaker loading.

ENGINEERED FOR EFFICIENCY

Active flyback leakage energy recovery circuit bringing the driver efficiency up to 92% or higher, minimizing temperature increase.

ENGINEERED FOR BEST FIXTURE PERFORMANCE.

Reliability. Performance. Simplicity.

Lumotech drivers are all built on core engineering design principles for exceptional standards of performance and reliability in LED systems. Highest-grade critical components together with design features for thermal derating and low inrush ensure excellent reliability. Low ripple design creates flicker-free lighting and perfectly smooth dimming. Simplicity of specification and installation is also a key aim of Lumotech, hence the wide voltage range which is a characteristic of all drivers in the portfolio.

THE POWER INSIDE



see www.lumotech.com for more unique aspects of our latest LED drivers >

DRIVER PART	DESCRIPTION		MAX. POWER (W)	VOLTAGE RANGE	CURRENT RANGE	CONSTANT VOLTAGE	INPUT VOLTAGE	DIMMABLE	COMMENTS	PAGE
< 12 W										
L05050	LED Driver 6.5 W, 3 - 12 Vdc, 700 mA		6.5	3 - 12 Vdc	700 mA		100 - 240 Vac	no		12
L05150	LED Driver 5.5 W, 3 - 16 Vdc, 350 mA		5.5	3 - 16 Vdc	350 mA		100 - 240 Vac	no		13
L05020	LED Driver 12 W, 3 - 32 Vdc, 350 or 700 mA		12	3 - 32 Vdc	350 / 700 mA		110 - 240 Vac	no		14
L05020NS	LED Driver 12 W, 3 - 32 Vdc, 350 or 700 mA		12	3 - 32 Vdc	350 / 700 mA		110 - 240 Vac	no	Mains cord, europlug	14
L05020-390	LED Driver 12 W, 3 - 32 Vdc, 270 or 390 mA		12	3 - 32 Vdc	270 / 390 mA		110 - 240 Vac	no		15
L05020-500	LED Driver 12 W, 3 - 24 Vdc, 500 or 700 mA		12	3 - 24 Vdc	500 / 700 mA		110 - 240 Vac	no		16
L05020-40250	LED Driver 12 W, 20 - 43 Vdc, 200 or 250 mA		12	20 - 43 Vdc	200 / 250 mA		110 - 240 Vac	no		17
L05020-40300	LED Driver 12 W, 20 - 43 Vdc, 180 or 300 mA		12	20 - 43 Vdc	180 / 300 mA		110 - 240 Vac	no		18
L05021	LED Driver 12 W, 3 - 32 Vdc, 350 or 700 mA		12	3 - 32 Vdc	350 / 700 mA		230 - 240 Vac	Mains, trailing edge		19
L05021e	LED Driver 12 W, 3 - 32 Vdc, 350 or 700 mA designed for metal enclosed fixtures		12	3 - 32 Vdc	350 / 700 mA		230 - 240 Vac	Mains, trailing edge		19
L05021NS	LED Driver 12 W, 3 - 32 Vdc, 350 or 700 mA		12	3 - 32 Vdc	350 / 700 mA		230 - 240 Vac	Mains, trailing edge	Mains cord, europlug	19
L05021-40250	LED Driver 12 W, 20 - 40 Vdc, 200 or 250 mA	NEW	12	20 - 40 Vdc	200 / 250 mA		230 - 240 Vac	Mains, trailing edge		20
L05021-40300	LED Driver 12 W, 20 - 40 Vdc, 180 or 300 mA	NEW	12	20 - 40 Vdc	180 / 300 mA		230 - 240 Vac	Mains, trailing edge		21
< 20 W										
L05011i	LED Driver 20 W, 3 - 33 Vdc, 350, 700, 1050 mA		20	3 - 33 Vdc	350 / 700 / 1050 mA	10, 12, 24 Vdc	110 - 240 Vac	1 - 10 V, potmeter, pulse		22
L05011iNS	LED Driver 20 W, 3 - 33 Vdc, 350, 700, 1050 mA		20	3 - 33 Vdc	350 / 700 / 1050 mA	10, 12, 24 Vdc	110 - 240 Vac	1 - 10 V, potmeter, pulse	Mains cord, europlug	22
L05011i2	LED Driver 20 W, 6 - 42 Vdc, 150 - 1200 mA		20	6 - 42 Vdc	150 - 1200 mA	6 - 42 Vdc	180 - 240 Vac	1 - 10 V, potmeter, pulse		23
L05012	LED Driver 20 W, 3 - 33 Vdc, 350 - 1400 mA		20	3 - 33 Vdc	350 - 1400 mA		115 - 240 Vac	no		24
L05013-48350	LED Driver 20 W, 3 - 48 Vdc, 350 mA		20	3 - 48 Vdc	350 mA		115 - 240 Vac	no		25
L05013	LED Driver 20 W, 3 - 33 Vdc, 700 mA		20	3 - 33 Vdc	700 mA		115 - 240 Vac	no		26
L05013NS	LED Driver 20 W, 3 - 33 Vdc, 700 mA		20	3 - 33 Vdc	700 mA		115 - 240 Vac	no	Mains cord, europlug	26
L05013-1050	LED Driver 20 W, 3 - 24 Vdc, 1050 mA		20	3 - 24 Vdc	1050 mA		115 - 240 Vac	no		27
L05013-1200	LED Driver 20 W, 3 - 24 Vdc, 1200 mA		20	3 - 24 Vdc	1200 mA		115 - 240 Vac	no		28
L05013-40500	LED Driver 20 W, 3 - 40 Vdc, 500 mA		20	3 - 40 Vdc	500 mA		115 - 240 Vac	no		29
L05016i	LED Driver 20 W, 3 - 33 Vdc, 250 - 1000 mA / 2 x 250 - 500 mA		20	3 - 33 Vdc	Output 1: 250 - 1000 mA Output 2: 250 - 500 mA		110 - 240 Vac	1 - 10 V, potmeter, pulse	Dual current output	30
L05016iNS	LED Driver 20 W, 3 - 33 Vdc, 250 - 1000 mA / 2 x 250 - 500 mA		20	3 - 33 Vdc	Output 1: 250 - 1000 mA Output 2: 250 - 500 mA		110 - 240 Vac	1 - 10 V, potmeter, pulse	Dual current output, Mains cord Europlug	30
L05016Ci	LED Driver 20 W, 3 - 43 Vdc, 110 - 500 mA		20	3 - 43 Vdc	110 - 500 mA		110 - 240 Vac	1 - 10 V, potmeter, pulse		31
L05016CiD	LED Driver 20 W, 3 - 45 Vdc, 2 x 100 - 300 mA		20	3 - 45 Vdc	Output 1: 100 - 300 mA Output 2: 100 - 300 mA		110 - 240 Vac	1 - 10 V, potmeter, pulse	Dual current output	32
L05030	LED Driver 20 W, 3 - 22 Vdc, 700 mA		20	3 - 22 Vdc	350 / 700 mA	4 - 24 Vdc	24 - 32 Vdc	no		33
L05035	LED Driver 20 W, 3 - 30 Vdc, 2 x 350 mA		20	3 - 30 Vdc	Output 1: 350 mA Output 2: 350 mA		12 - 32 Vdc	1 - 10 V, potmeter	Dual current output	34

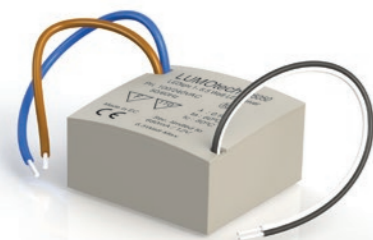
DRIVER PART	DESCRIPTION		MAX. POWER (W)	VOLTAGE RANGE	CURRENT RANGE	CONSTANT VOLTAGE	INPUT VOLTAGE	DIMMABLE	COMMENTS	PAGE
< 30 W										
L05011i3	LED Driver 20 W, 6 - 42 Vdc, 200 - 1200 mA	NEW	24	6 - 42 Vdc	200 - 1200 mA		180 - 240 Vac	1 - 10 V, potmeter		35
L05011i4	LED Driver 20 W, 6 - 42 Vdc, 200 - 1200 mA	NEW	24	6 - 42 Vdc	200 - 1200 mA		180 - 240 Vac	pulse		36
L05031	LED Driver 30 W, 6 - 42 Vdc, 100 - 1400 mA	NEW	30	6 - 42 Vdc	100 - 1400 mA		180 - 240 Vac	pulse, 1 - 10 V		37
L05033-48700	LED Driver 30 W, 30 - 48 Vdc, 700 mA	NEW	33	30 - 48 Vdc	700 mA		220 - 240 Vac	no		38
L05025	LED Driver 30 W, 7 - 43 Vdc, 100 - 1000 mA DALI	NEW	30	7 - 43 Vdc	100 - 1000 mA		220 - 240 Vac	DALI		39
< 40 W										
L05040	LED Driver 40 W, 7 - 55 Vdc, 100 - 1000 mA DALI		40	7 - 55 Vdc	100 - 1000 mA		160 - 240 Vac	DALI		40
L05044	LED Driver 40 W, 15 - 32 Vdc, 300 - 1400 mA		40	15 - 32 Vdc	300 - 1400 mA		110 - 240 Vac	no		41
L05044NS	LED Driver 40 W, 15 - 32 Vdc, 300 - 1400 mA		40	15 - 32 Vdc	300 - 1400 mA		110 - 240 Vac	no	Mains cord, europlug	41
L05044NS-1050	LED Driver 40 W, 15 - 32 Vdc, 1050 mA		40	15 - 32 Vdc	1050 mA		110 - 240 Vac	no	Mains cord, europlug	41
L05045	LED Driver 40 W, 15 - 32 Vdc, 300 - 1400 mA		40	15 - 32 Vdc	300 - 1400 mA		110 - 240 Vac	1 - 10 V, potmeter		42
L05046	LED Driver 36 W, 24 Vdc, Constant Voltage		36		1500 mA Max	24 Vdc	110 - 240 Vac	no		43
L05049	LED Driver 40 W, 22 - 60 Vdc, 245 - 1050 mA		40	22 - 60 Vdc	245 - 1050 mA		110 - 240 Vac	1 - 10 V, potmeter		44
L05049-601000	LED Driver 40 W, 20 - 60 Vdc, 245 - 1050 mA	NEW	40	22 - 60 Vdc	245 - 1050 mA		110 - 240 Vac	1 - 10 V, potmeter		44
L05049NS-700	LED Driver 40 W, 22 - 60 Vdc, 700 mA		40	22 - 60 Vdc	700 mA		110 - 240 Vac	1 - 10 V, potmeter	Mains cord, europlug	44
< 60 W										
L05055	LED Driver 60 W, 22 - 46 Vdc, 245 - 2000 mA	NEW	60	20 - 60 Vdc	245 - 2000 mA		110 - 240 Vac	1 - 10 V, potmeter	Fan power, NTC input	45
L05055-24CV2000	LED Driver 60 W, 24 Vdc, 2000 mA Constant Voltage	NEW	48		Max 2000 mA	24 Vdc	110 - 240 Vac			46
< 75 W										
L05175	LED Driver 75 W, 68 - 152 Vdc, 350 - 700 mA DALI	PRELIMINARY	75	68 - 152 Vdc	350 - 700 mA		108 - 305 Vac	1 - 10 V, DALI, Timer	3.3 V power, NTC input, programmable, IP65	47
< 100 W										
L05060	LED Driver 100 W, 20 - 60 Vdc, 700 - 2800 mA		100	20 - 60 Vdc	350 - 2800 mA		110 - 240 Vac	1 - 10 V, potmeter	Fan power, NTC input	48
< 150 W										
L05176	LED Driver 150 W, 125 - 280 Vdc, 350 - 700 mA DALI	PRELIMINARY	150	125 - 280 Vdc	350 - 700 mA		108 - 305 Vac	1 - 10 V, DALI, Timer	3.3 V power, NTC input, programmable, IP65	49
L05065	LED Driver 150 W, 20 - 60 Vdc, 1000 - 4000 mA	PRELIMINARY	150	20 - 60 Vdc	1000 - 4000 mA		110 - 240 Vac	1 - 10 V, potmeter	NTC input, Fan power	50

< 12 W

L05050 LED Driver 6.5 W, 3 - 12 Vdc, 700 mA



JST XH series



- Very compact size
- Wide output voltage range to support 1 - 3 LEDs
- Flying leads
- Power factor 0.91
- SELV

Driver type:	Constant current
Max power output:	6.5 W
Current output:	700 mA
Voltage output:	3 - 12 Vdc
Dimmable:	No
Power factor (λ):	0.91
Voltage input:	100 - 240 Vac, 50/60 Hz
Max. temp. (tc):	80° C
Ambient temp (ta):	-20 to +60° C
Weight:	39 gram
Dimensions:	45.9 x 41.2 x 22 mm



< 12 W

L05150 LED Driver 5.5 W, 3 - 16 Vdc, 350 mA

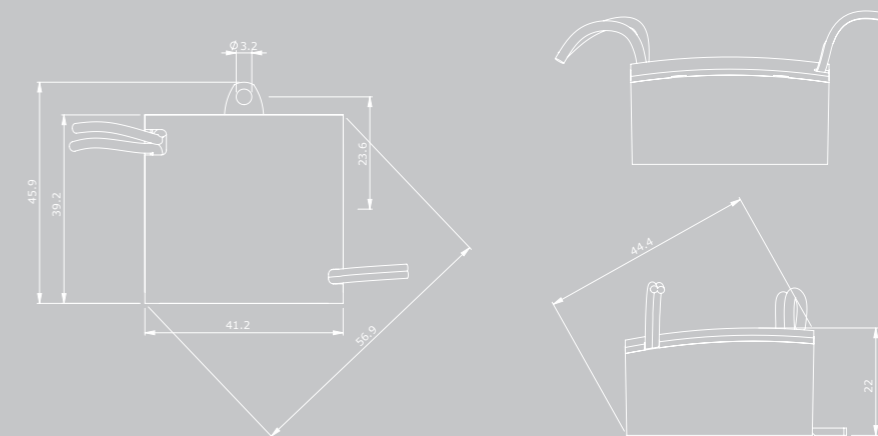
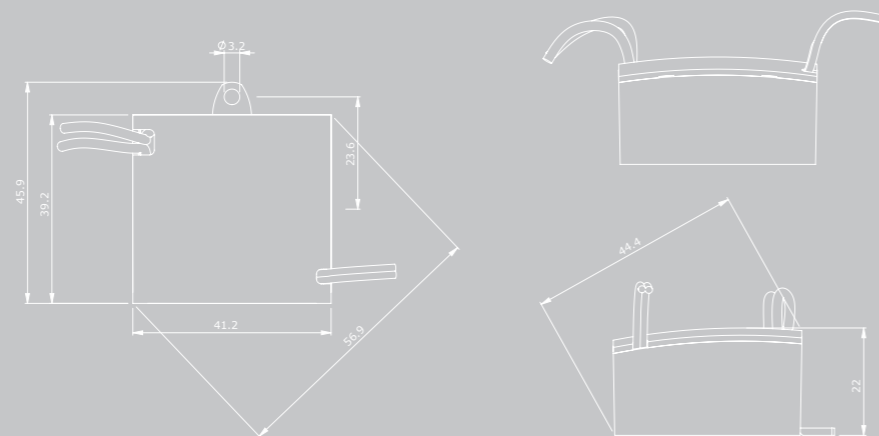


JST XH series



- Very compact size
- Wide output voltage range to support 1 - 5 LEDs
- Flying leads
- Power factor 0.91
- SELV

Driver type:	Constant current
Max power output:	5.5 W
Current output:	350 mA
Voltage output:	3 - 16 Vdc
Dimmable:	No
Power factor (λ):	0.91
Voltage input:	110 - 240 Vac, 50/60 Hz
Max. temp. (tc):	80° C
Ambient temp (ta):	-20 to +60° C
Weight:	39 gram
Dimensions:	45.9 x 41.2 x 22 mm



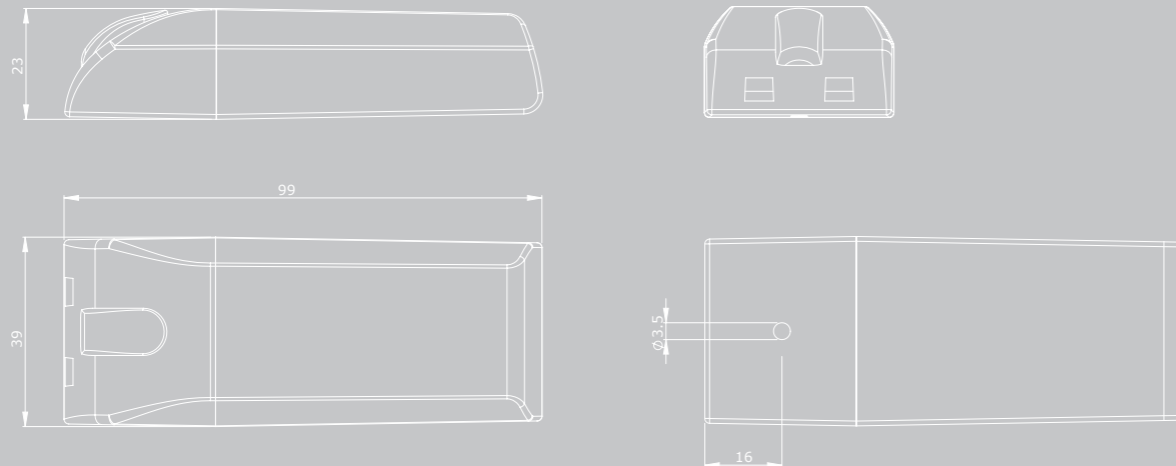
< 12 W

L05020 LED Driver 12W, 3 - 32 Vdc, 350 or 700 mA



- Very compact size
- 350 mA or 700 mA
- Output current ripple <15 % at 100 Hz
- High efficiency across a wide range of loads
- Active output overcurrent protection
- Power factor 0.9
- ENEC certified
- SELV

Driver type:	Constant current
Max power output:	12 W
Current output:	Output 1: 350 mA Output 2: 700 mA
Voltage output	3 - 32 Vdc
Dimmable:	No
Power factor (λ):	0.9
Voltage input:	110 - 240 Vac, 50/60 Hz
Max. temp. (tc):	80° C
Ambient temp (ta):	-20 to +50° C
Weight:	70 gram
Dimensions:	99 x 39 x 23 mm
In accordance to:	EN61347-2-13, EN62384, EN55015, EN61000-3-2, EN61547, SELV



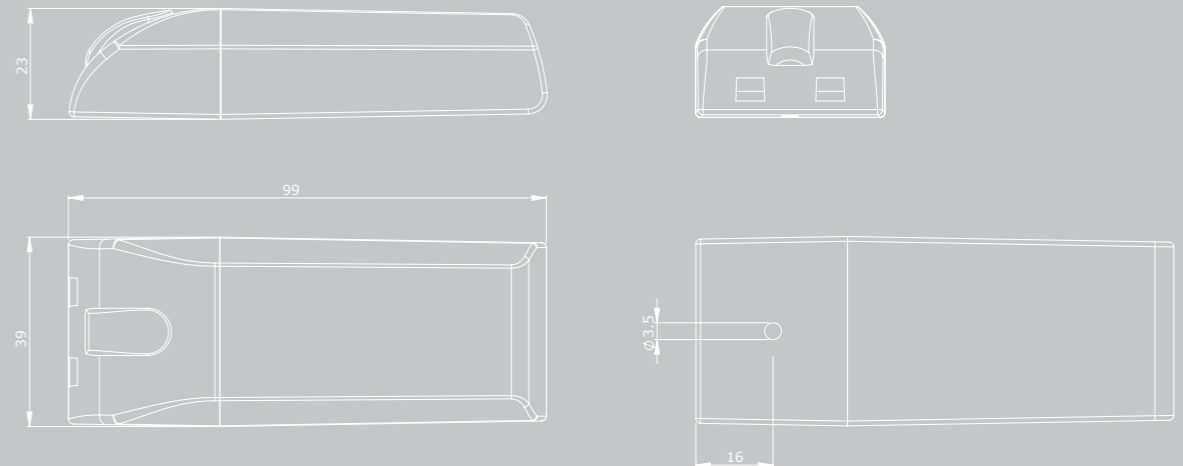
< 12 W

L05020-390 LED Driver 12W, 3 - 32 Vdc, 270 or 390 mA



- Very compact size
- 270 mA or 390 mA
- Output current ripple <15 % at 100 Hz
- High efficiency across a wide range of loads
- Active output overcurrent protection
- Power factor 0.9
- ENEC certified
- SELV

Driver type:	Constant current
Max power output:	12 W
Current output:	Output 1: 270 mA Output 2: 390 mA
Voltage output	3 - 32 Vdc
Dimmable:	No
Power factor (λ):	0.9
Voltage input:	110 - 240 Vac, 50/60 Hz
Max. temp. (tc):	85° C
Ambient temp (ta):	-20 to +50° C
Weight:	70 gram
Dimensions:	99 x 39 x 23 mm
In accordance to:	EN61347-2-13, EN62384, EN55015, EN61000-3-2, EN61547, SELV



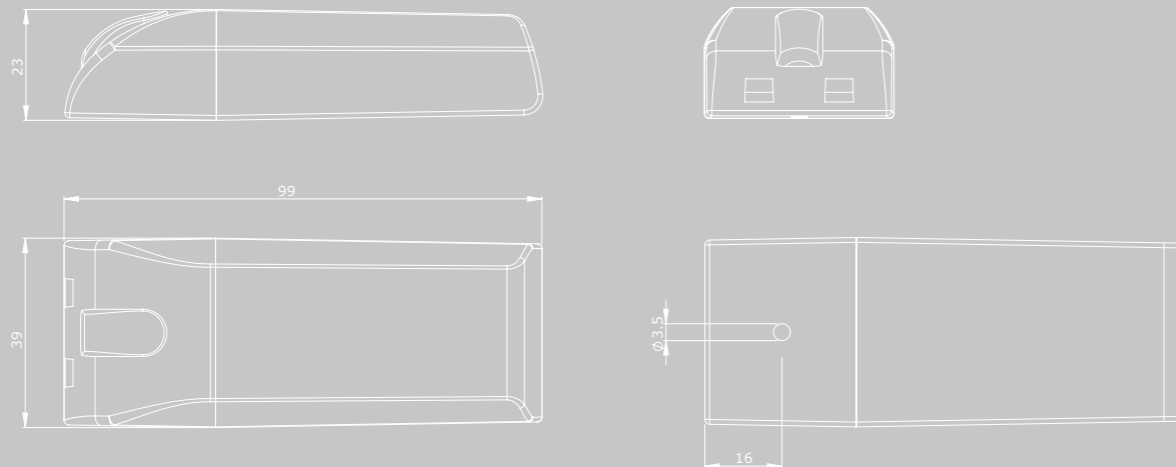
< 12 W

L05020-500 LED Driver 12 W, 3 - 24 Vdc, 500 or 700 mA



- Very compact size
- 500 mA or 700 mA
- Output current ripple <15 % at 100 Hz
- High efficiency across a wide range of loads
- Active output overcurrent protection
- Power factor 0.9
- ENEC certified
- SELV

Driver type:	Constant current
Max power output:	12 W at 240 Vac 15 W at 110 Vac
Current output:	Output 1: 500 mA Output 2: 700 mA
Voltage output	3 - 24 Vdc
Dimmable:	No
Power factor (λ):	0.9
Voltage input:	110 - 240 Vac, 50/60 Hz
Max. temp. (tc):	85° C
Ambient temp (ta):	-20 to +50° C
Weight:	70 gram
Dimensions:	99 x 39 x 23 mm
In accordance to:	EN61347-2-13, EN62384, EN55015, EN61000-3-2, EN61547, SELV



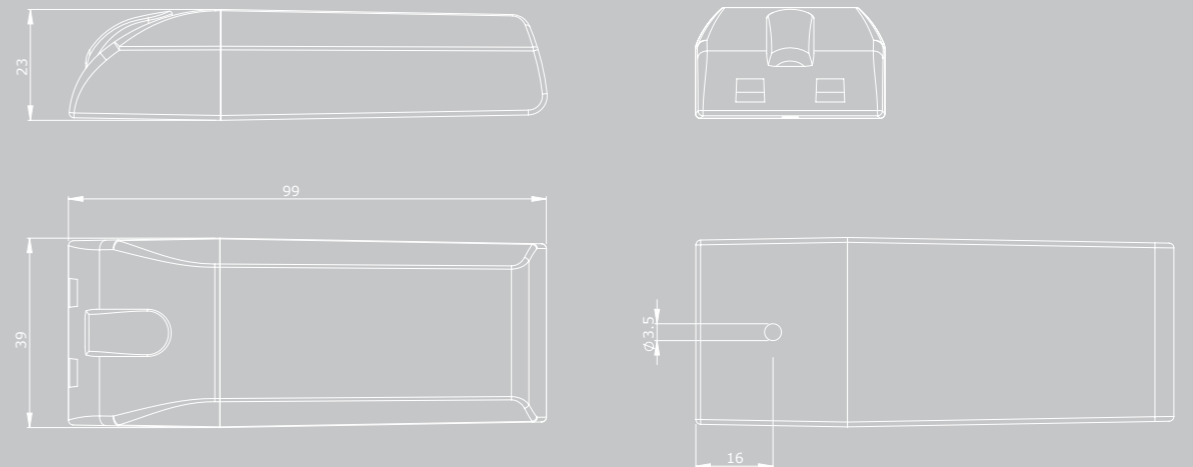
< 12 W

L05020-40250 LED Driver 12 W, 20 - 43 Vdc, 200 or 250 mA



- Output currents ideally matched with industry standard CoB LED arrays: 200 mA or 250 mA
- Wide output voltage range 20 - 43 Vdc
- Output current ripple <15 % at 100 Hz
- Very compact size
- High efficiency across a wide range of loads
- Active output overcurrent protection
- Power factor 0.9
- SELV
- ENEC certified

Driver type:	Constant current
Max power output:	12 W
Current output:	Output 1: 200 mA Output 2: 250 mA
Voltage output	20 - 43 Vdc
Dimmable:	No
Power factor (λ):	0.9
Voltage input:	110 - 240 Vac, 50/60 Hz
Max. temp. (tc):	85° C
Ambient temp (ta):	-20 to +50° C
Weight:	70 gram
Dimensions:	99 x 39 x 23 mm
In accordance to:	EN61347-2-13, EN62384, EN55015, EN61000-3-2, EN61547, SELV



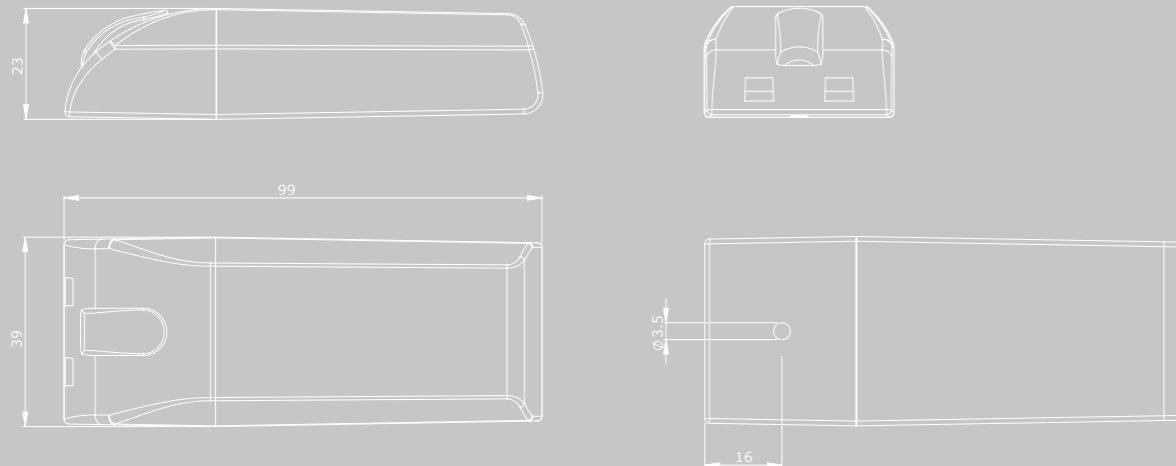
< 12 W

L05020-40300 LED Driver 12 W, 20 - 42 Vdc, 180 or 300 mA



- Output currents ideally matched with industry standard CoB LED arrays: 180 mA or 300 mA
- Wide output voltage range 20 - 43 Vdc
- Output current ripple <15 % at 100 Hz
- Very compact size
- High efficiency across a wide range of loads
- Active output overcurrent protection
- Power factor 0.9
- ENEC Certified
- SELV

Driver type:	Constant current
Max power output:	12 W
Current output:	Output 1: 180 mA Output 2: 300 mA
Voltage output	20 - 43 Vdc
Dimmable:	No
Power factor (λ):	0.9
Voltage input:	110 - 240 Vac, 50/60 Hz
Max. temp. (tc):	85° C
Ambient temp (ta):	-20 to +50° C
Weight:	70 gram
Dimensions:	99 x 39 x 23 mm
In accordance to:	EN61347-2-13, EN62384, EN55015, EN61000-3-2, EN61547, SELV



< 12 W

L05021 LED Driver 12 W, 3 - 32 Vdc, 350 or 700 mA L05021e LED Driver 12 W, for metal enclosed fixtures

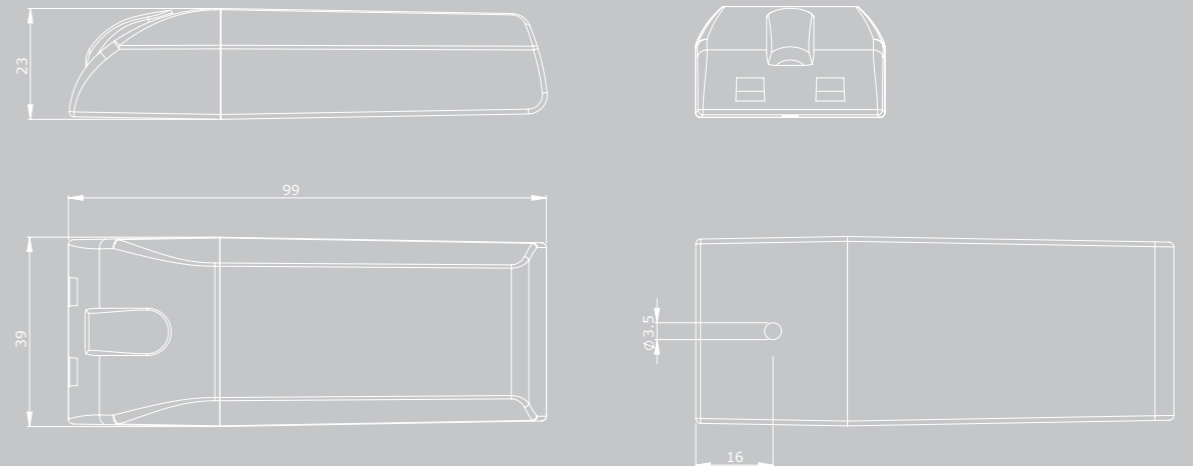


- Designed for maximum compatibility with trailing edge dimmers (see website for list of compatible dimmers)
- Supports 350 mA and 700 mA applications
- Very compact size
- Wide output voltage range 3 - 32 Vdc
- Active output overcurrent protection
- Power factor 0.9
- ENEC certified
- SELV

Driver type:	Constant current
Max power output:	12 W
Current output:	Output 1: 350 mA Output 2: 700 mA
Voltage output	3 - 32 Vdc
Dimmable:	Mains Dimmable (Trailing edge dimmer)
Power factor (λ):	0.9
Voltage input:	230 - 240 Vac, 50/60 Hz
Max. temp. (tc):	85° C
Ambient temp (ta):	-20 to +45° C
Weight:	70 gram
Dimensions:	99 x 39 x 23 mm
In accordance to:	EN61347-2-13, EN62384, EN55015, EN61000-3-2, EN61547, SELV



See www.lumotech.com for an overview of tested dimmers in combination with the L05021 driver.



< 12 W

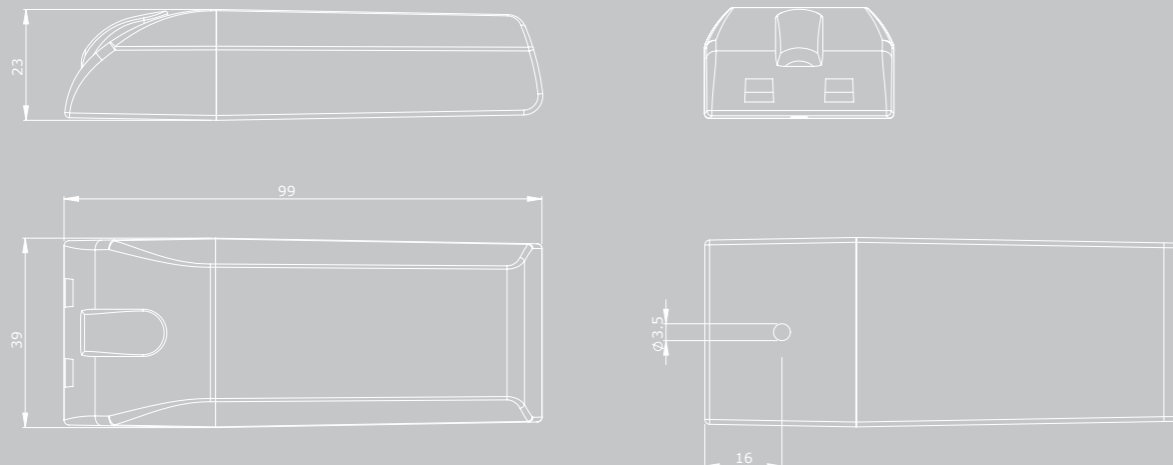
L05021-40250 LED Driver 12 W, 20 - 40 Vdc, 200 or 250 mA

NEW



Driver type:	Constant current
Max power output:	12 W
Current output:	Output 1: 200 mA Output 2: 250 mA
Voltage output	20 - 40 Vdc
Dimmable:	Mains Dimmable (Trailing edge dimmer)
Power factor (λ):	0.9
Voltage input:	230 - 240 Vac, 50/60 Hz
Max. temp. (tc):	85° C
Ambient temp (ta):	-20 to +45° C
Weight:	70 gram
Dimensions:	99 x 39 x 23 mm
In accordance to:	EN61347-2-13, EN62384, EN55015, EN61000-3-2, EN61547, SELV

- Output currents ideally matched with industry standard CoB LED arrays: 200 mA or 250 mA
- Very compact size
- Wide output voltage range 6 -40 Vdc
- Active output overcurrent protection
- Power factor 0.9
- ENEC Certified
- SELV



< 12 W

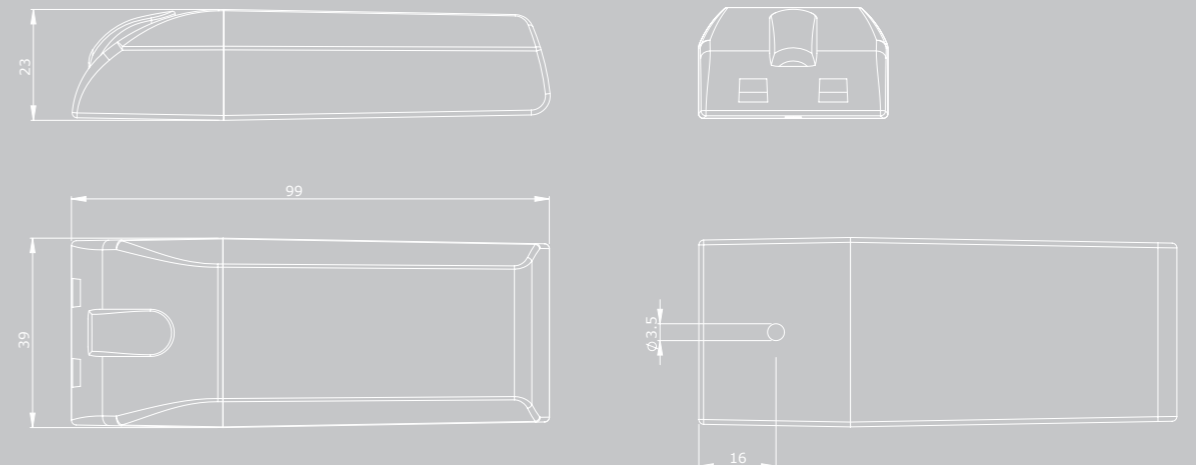
L05021-40300 LED Driver 12 W, 20 - 40 Vdc, 180 or 300 mA

NEW



Driver type:	Constant current
Max power output:	12 W
Current output:	Output 1: 180 mA Output 2: 300 mA
Voltage output	20 - 40 Vdc
Dimmable:	Mains Dimmable (Trailing edge dimmer)
Power factor (λ):	0.9
Voltage input:	230 - 240 Vac, 50/60 Hz
Max. temp. (tc):	85° C
Ambient temp (ta):	-20 to +50° C
Weight:	70 gram
Dimensions:	99 x 39 x 23 mm
In accordance to:	EN61347-2-13, EN62384, EN55015, EN61000-3-2, EN61547, SELV

- Output currents ideally matched with industry standard CoB LED arrays: 180 mA or 300 mA
- Very compact size
- Wide output voltage range 6 - 40 Vdc
- Active output overcurrent protection
- Power factor 0.9
- ENEC Certified
- SELV



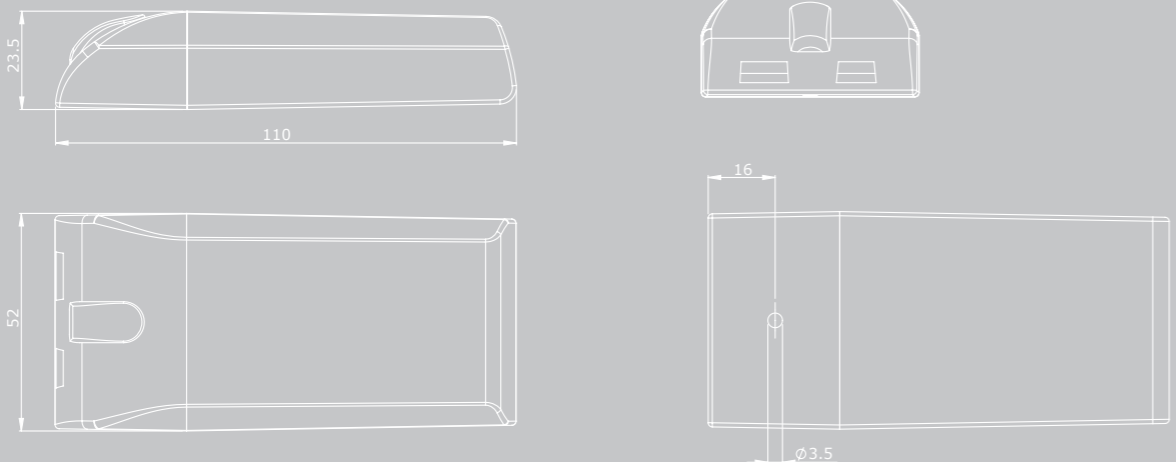
< 20 W

L05011i LED Driver 20 W, 3 - 33 Vdc, 350, 700, 1050 mA



- Wide output voltage range 3 - 32 Vdc
- Wide range of current settings (dip-switch) 350 - 1050 mA
- 1-10V & Pulse dimming
- Max inrush current <1.25 A
- Output current ripple <1 % at 100 Hz
- Thermal protection
- Active output overcurrent protection
- High efficiency across a wide range of loads
- Power factor 0.9
- ENEC certified
- SELV

Driver type:	Constant current or Constant voltage
Max power output:	20 W at 230 Vac 15 W at 110 Vac
Current output:	350 mA 700 mA 1050 mA
Voltage output	Constant current 3 - 32 Vdc at 350 / 700 mA 3 - 20 Vdc at 1050 mA Constant voltage / power output 230 Vac: 10V / 10W; 12V / 12 W; 24 V / 20 W 110 Vac: 10 V / 10 W; 12 V / 12 W; 24 V / 15 W
Dimmable:	1 - 10V / potentiometer 100K log b / pulse switch
Power factor (λ):	0.9
Voltage input:	110 - 240 Vac, 50/60 Hz
Max. temp. (tc):	85° C
Ambient temp (ta):	-20 to +50° C
Weight:	105 gram
Dimensions:	110 x 52 x 23.5 mm
In accordance to:	EN61347-2-13, EN62384, EN55015, EN61000-3-2, EN61547, SELV



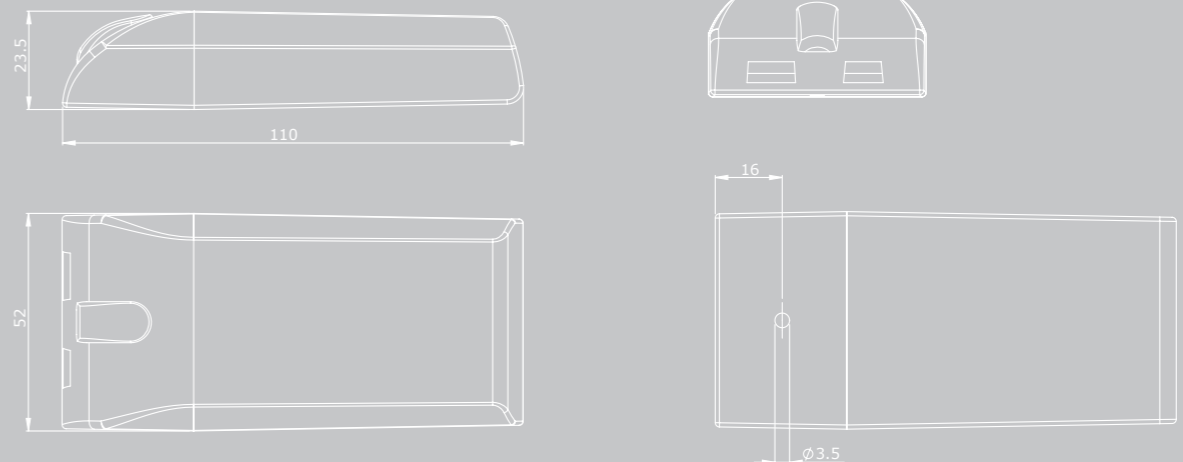
< 20 W

L05011i2 LED Driver 20 W, 6 - 42 Vdc, 150 - 1200 mA



- Wide output voltage range 6 - 42 Vdc
- Wide range of current and voltage settings (dip-switch) 150 - 1200 mA
- 1 - 10V & Pulse dimming
- Max inrush current <0.25 A
- Output current ripple <1 % at 100 Hz
- Thermal protection: dimming instead of switch off
- Active output overvoltage protection
- High efficiency across a wide range of loads
- Power factor 0.97
- ENEC certified
- SELV

Driver type:	Constant current or Constant voltage
Max power output:	20 W
Current output:	150 - 1200 mA
Voltage output	6 - 42 Vdc
Dimmable:	1 - 10V / potentiometer 100K log b / pulse switch
Power factor (λ):	0.97
Voltage input:	180 - 240 Vac, 50/60 Hz
Max. temp. (tc):	80° C
Ambient temp (ta):	-20 to +42° C
Weight:	105 gram
Dimensions:	110 x 52 x 23.5 mm
In accordance to:	EN61347-2-13, EN62384, EN55015, EN61000-3-2, EN61547, SELV



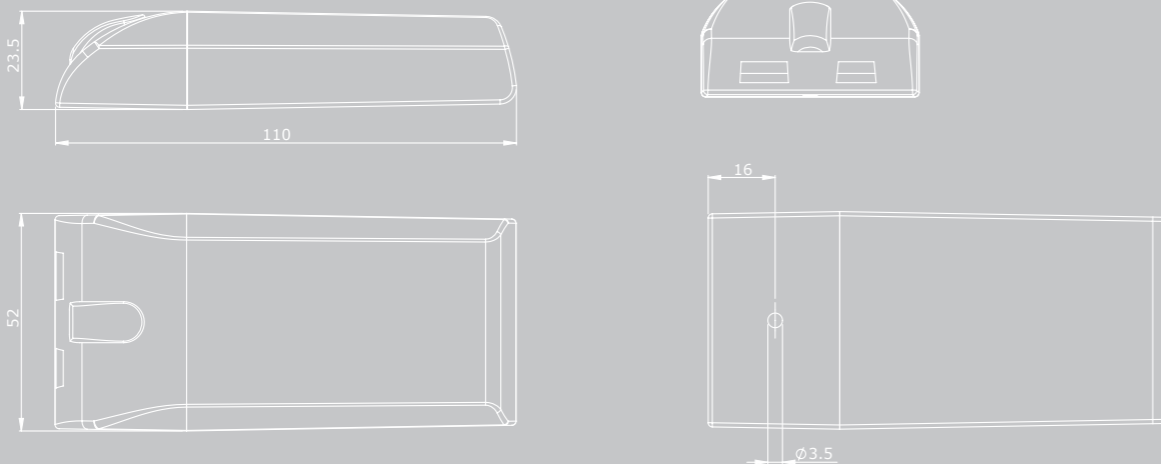
< 20 W

L05012 LED Driver 20 W, 3 - 33 Vdc, 350 - 1400 mA



- Wide output voltage range 3 - 33 Vdc
- Adjustable current (potmeter) 350 - 1400 mA
- Max inrush current <1.25 A
- Output current ripple <1% at 100 Hz
- Thermal protection
- Active output overcurrent protection
- Power factor 0.9
- ENEC certified
- SELV

Driver type:	Constant current
Max power output:	20 W at 240 Vac 15 W at 110 Vac
Current output:	350 - 1400 mA
Voltage output	3 - 33 Vdc
Dimmable:	No
Power factor (λ):	0.9
Voltage input:	115 - 240 Vac, 50/60 Hz
Max. temp. (tc):	85° C
Ambient temp (ta):	-20 to +45° C
Weight:	100 gram
Dimensions:	110 x 52 x 23.5 mm
In accordance to:	EN61347-2-13, EN62384, EN55015, EN61000-3-2, EN61547, SELV



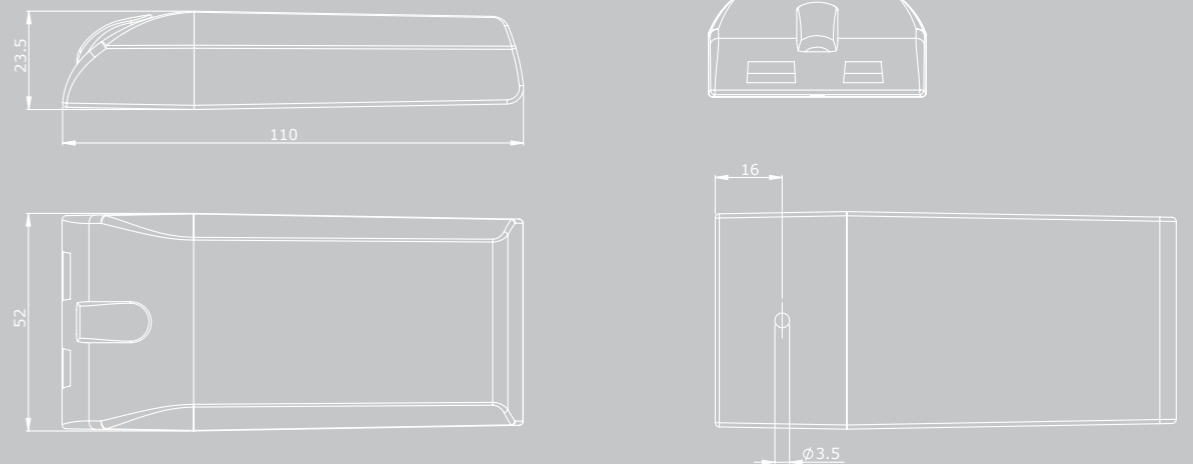
< 20 W

L05013-48350 LED Driver 20 W, 3 - 48 Vdc, 350 mA



- Wide output voltage range 3 - 48 Vdc
- Max inrush current <1.25 A
- Output current ripple <1% at 100 Hz
- Thermal protection
- High efficiency across a wide range of loads
- Active output overcurrent protection
- Power factor 0.9
- ENEC certified
- SELV

Driver type:	Constant current
Max power output:	20 W
Current output:	350 mA
Voltage output	3 - 48 Vdc
Dimmable:	No
Power factor (λ):	0.9
Voltage input:	115 - 240 Vac, 50/60 Hz
Max. temp. (tc):	85° C
Ambient temp (ta):	-20 to +45° C
Weight:	100 gram
Dimensions:	110 x 52 x 23.5 mm
In accordance to:	EN61347-2-13, EN62384, EN55015, EN61000-3-2, EN61547, SELV



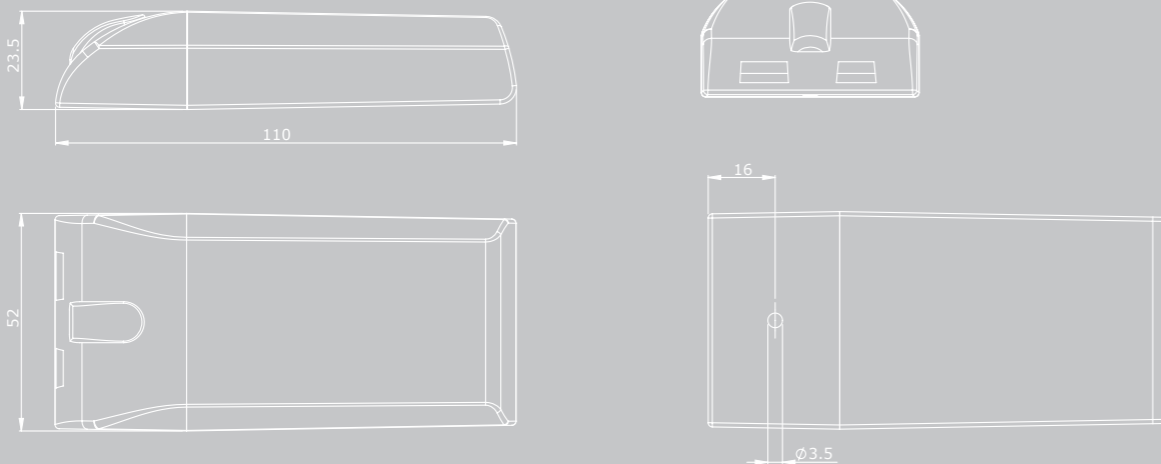
< 20 W

L05013 LED Driver 20 W, 3 - 33 Vdc, 700 mA



- Wide output voltage range 3 - 33 Vdc
- Output current 700 mA
- Max inrush current <1.25 A
- Output current ripple <1% at 100 Hz
- Thermal protection
- Active output overcurrent protection
- High efficiency across a wide range of loads
- Power factor 0.9
- ENEC certified
- SELV

Driver type:	Constant current
Max power output:	20 W at 240 Vac 15 W at 110 Vac
Current output:	700 mA
Voltage output	3 - 33 Vdc
Dimmable:	No
Power factor (λ):	0.9
Voltage input:	115 - 240 Vac, 50/60 Hz
Max. temp. (tc):	85° C
Ambient temp (ta):	-20 to +45° C
Weight:	100 gram
Dimensions:	110 x 52 x 23.5 mm
In accordance to:	EN61347-2-13, EN62384, EN55015, EN61000-3-2, EN61547, SELV



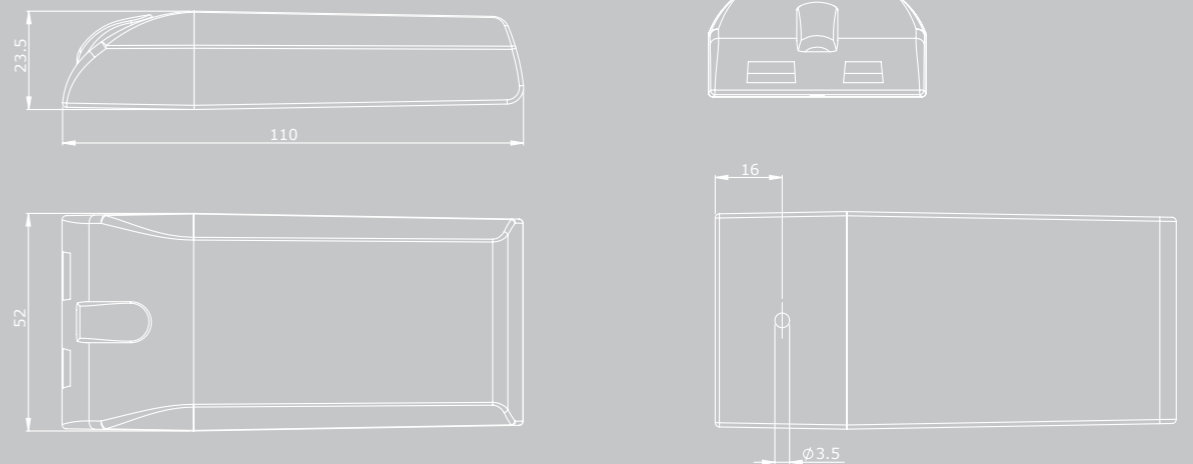
< 20 W

L05013-1050 LED Driver 20 W, 3 - 24 Vdc, 1050 mA



- Output current 1050 mA
- Max inrush current <1.25 A
- Output current ripple <1% at 100 Hz
- Thermal protection: dimming instead of switch off
- High efficiency across a wide range of loads
- Active output overcurrent protection
- Power factor 0.9
- ENEC certified
- SELV

Driver type:	Constant current
Max power output:	20 W
Current output:	1050 mA
Voltage output	3 - 24 Vdc
Dimmable:	No
Power factor (λ):	0.9
Voltage input:	115 - 240 Vac, 50/60 Hz
Max. temp. (tc):	85° C
Ambient temp (ta):	-20 to +45° C
Weight:	100 gram
Dimensions:	110 x 52 x 23.5 mm
In accordance to:	EN61347-2-13, EN62384, EN55015, EN61000-3-2, EN61547, SELV



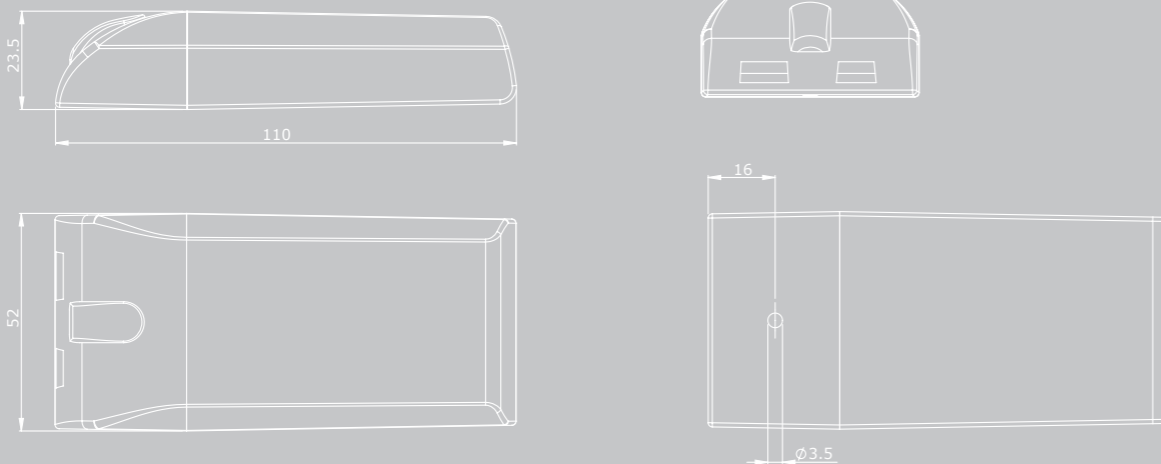
< 20 W

L05013-1200 LED Driver 20 W, 3 - 24 Vdc, 1200 mA



- Output current 1200 mA
- Max inrush current <1.25 A
- Output current ripple <1% at 100 Hz
- Thermal protection: dimming instead of switch off
- High efficiency across a wide range of loads
- Active output overcurrent protection
- Power factor 0.9
- ENEC certified
- SELV

Driver type:	Constant current
Max power output:	20 W
Current output:	1200 mA
Voltage output:	3 - 24 Vdc
Dimmable:	No
Power factor (λ):	0.9
Voltage input:	115 - 240 Vac, 50/60 Hz
Max. temp. (tc):	85° C
Ambient temp (ta):	-20 to +45° C
Weight:	110 gram
Dimensions:	110 x 52 x 23.5 mm
In accordance to:	EN61347-2-13, EN62384, EN55015, EN61000-3-2, EN61547, SELV



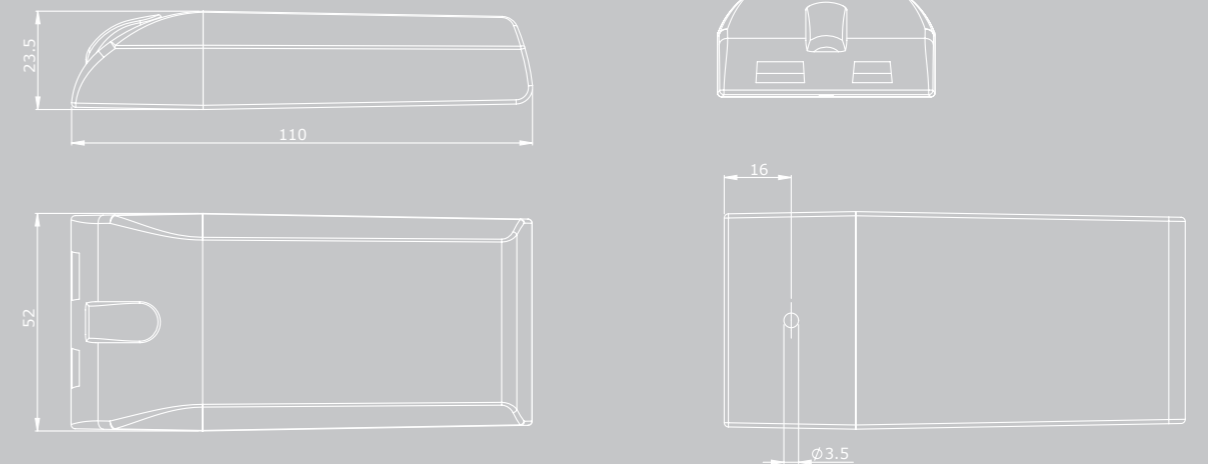
< 20 W

L05013-40500 LED Driver 20 W, 3 - 40 Vdc, 500 mA



- Wide output voltage range 3 - 40 Vdc supporting industry standard CoB LED arrays.
- Output current 500 mA
- Max inrush current <1.25 A
- Output current ripple <1% at 100 Hz
- Thermal protection: dimming instead of switch off
- Active output overcurrent protection
- Power factor 0.9
- ENEC certified
- SELV

Driver type:	Constant current
Max power output:	20 W
Current output:	500 mA
Voltage output:	3 - 40 Vdc
Dimmable:	No
Power factor (λ):	0.9
Voltage input:	115 - 240 Vac, 50/60 Hz
Max. temp. (tc):	85° C
Ambient temp (ta):	-20 to +45° C
Weight:	100 gram
Dimensions:	110 x 52 x 23.5 mm
In accordance to:	EN61347-2-13, EN62384, EN55015, EN61000-3-2, EN61547, SELV



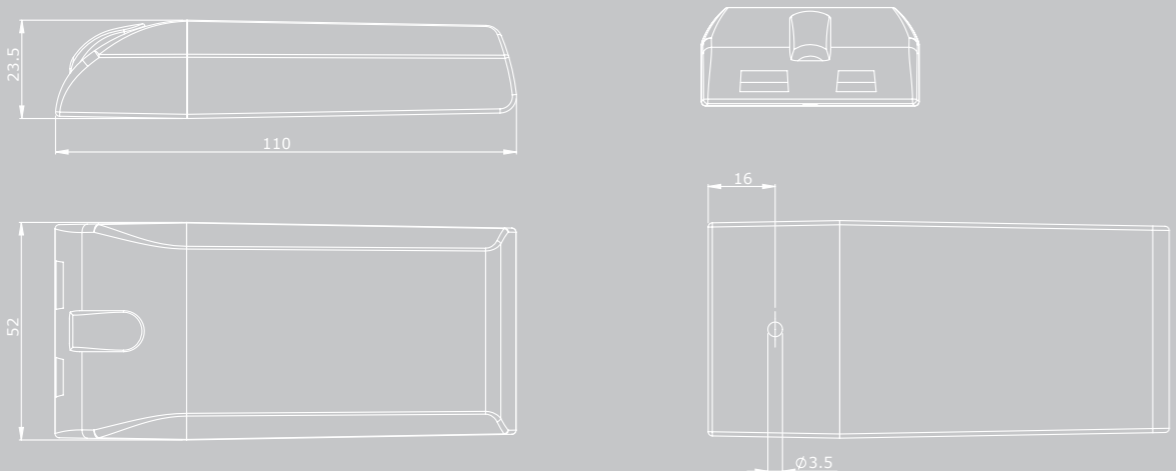
< 20 W

L05016i LED Driver 20 W, 3-33 Vdc, 250 - 1000 mA / 2 x 250 - 500 mA



- Wide output voltage range 3 - 33 Vdc
- Adjustable current (potmeter) 250 - 1000 mA
- 1 - 10V & Pulse dimming
- 2 channel option
- Max inrush current <1.25 A
- Output current ripple <1% at 100 Hz
- Thermal protection: dimming instead of switch off
- Active output overcurrent protection
- Power factor 0.9
- ENEC certified
- SELV

Driver type:	Constant current
Max power output:	20 W at 230 Vac 15 W at 110 Vac
Current output:	adjustable 250 - 1000 mA or 2 ch. at 250 - 500 mA
Voltage output	3 - 33 Vdc
Dimmable:	1 - 10V / potentiometer 100K log b / pulse switch
Power factor (λ):	0.9
Voltage input:	110 - 240 Vac, 50/60 Hz
Max. temp. (tc):	85° C
Ambient temp (ta):	-20 to +50° C
Weight:	100 gram
Dimensions:	110 x 52 x 23.5 mm
In accordance to:	EN61347-2-13, EN62384, EN55015, EN61000-3-2, EN61547, SELV



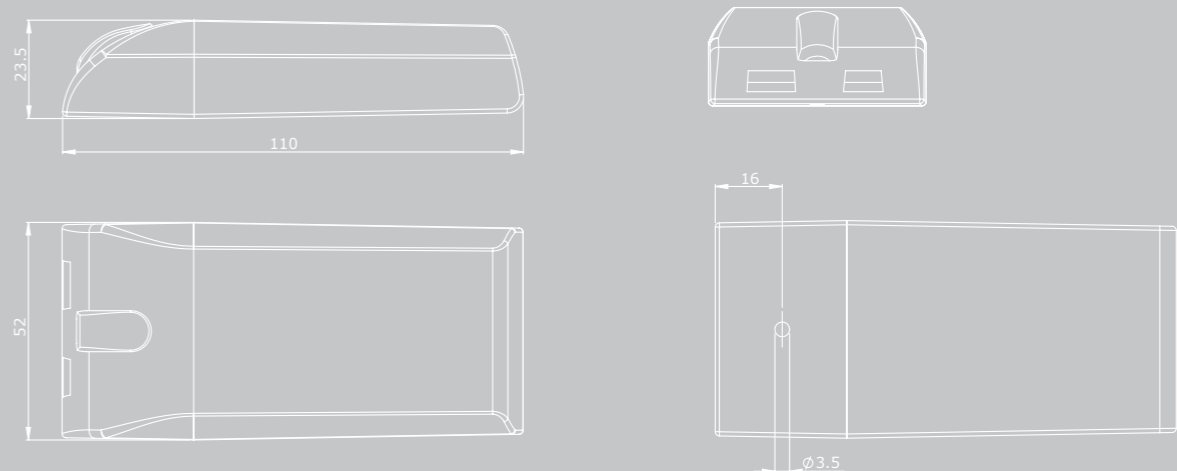
< 20 W

L05016Ci LED Driver 20W, 3-43 Vdc, 110-500 mA



- Wide output voltage range 3 - 43 Vdc, ideally suited for driving CoB LED arrays
- Adjustable current (potmeter) 110 - 500 mA
- 1-10V & Pulse dimming
- Max inrush current <1.25 A
- Output current ripple <1% at 100 Hz
- Thermal protection
- Active output overvoltage protection
- Power factor 0.9
- ENEC certified
- SELV

Driver type:	Constant current
Max power output:	20 W
Current output:	110 - 500 mA
Voltage output	3 - 43 Vdc
Dimmable:	1 - 10V / Potentiometer 100K log b / pulse switch
Power factor (λ):	0.9
Voltage input:	110-240 Vac, 50/60 Hz
Max. temp. (tc):	85° C
Ambient temp (ta):	-20 to +50° C
Weight:	100 gram
Dimensions:	110 x 52 x 23.5 mm
In accordance to:	EN61347-2-13, EN62384, EN55015, EN61000-3-2, EN61547, SELV



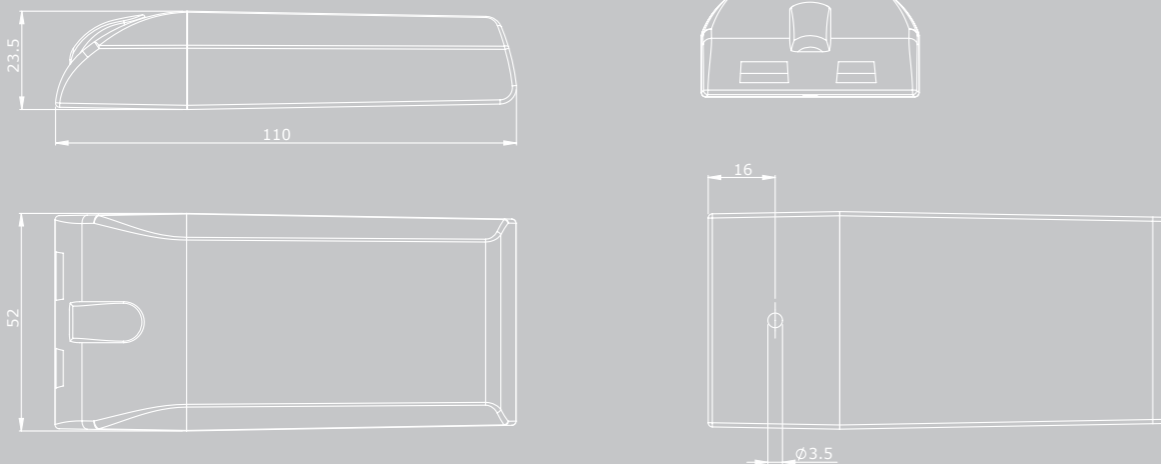
< 20 W

L05016CiD LED Driver 20 W, 3 - 45 Vdc, 2 x 100 - 300 mA



- Wide output voltage range 3 - 45 Vdc, ideally suited for driving CoB LED arrays
- Wide range of current settings
- 2 channel (100 - 300 mA)
- 1 - 10 V & Pulse dimming
- Max inrush current <1.25 A
- Output current ripple <1 % at 100 Hz
- Thermal protection
- Active output overcurrent protection
- Power factor 0.9
- ENEC certified
- SELV

Driver type:	Constant current
Max power output:	20 W
Current output:	2 x 100 - 300 mA
Voltage output	3 - 45 Vdc
Dimmable:	1 - 10 V / Potentiometer 100 log b / pulse switch
Power factor (λ):	0.9
Voltage input:	110 - 240 Vac, 50/60 Hz
Max. temp. (tc):	85° C
Ambient temp (ta):	-20 to +50° C
Weight:	100 gram
Dimensions:	110 x 52 x 23.5 mm
In accordance to:	EN61347-2-13, EN62384, EN55015, EN61000-3-2, EN61547, SELV



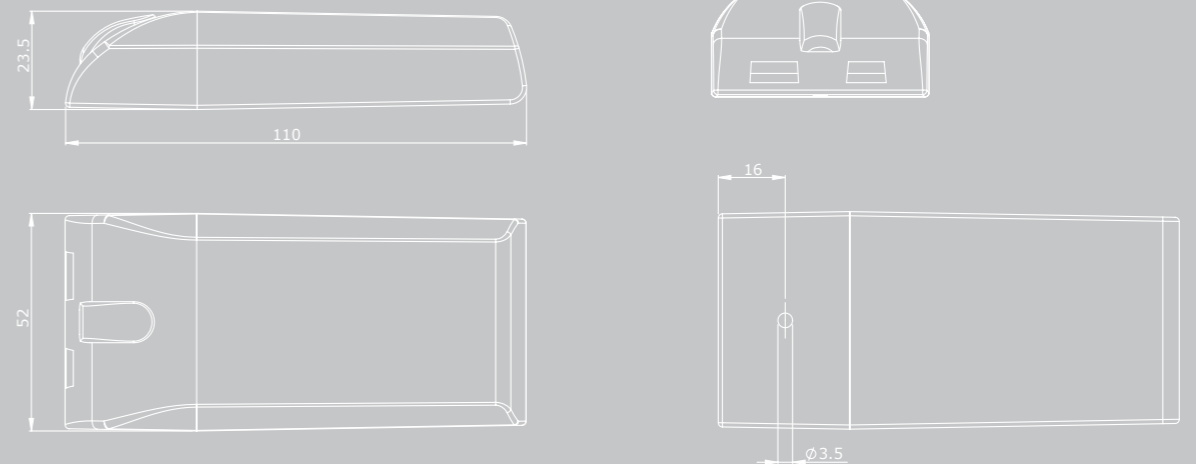
< 20 W

L05030 LED Driver 20 W, 3 - 22 Vdc, 350 or 700 mA



- Supply voltage 24 Vdc
- Current and fixed voltage settings
- Thermal protection
- Active output overvoltage protection
- High efficiency across a wide range of loads
- SELV

Driver type:	Constant current and Constant voltage
Max power output:	20 W
Current output:	350 mA 700 mA
Voltage output	Constant current 3 - 22 Vdc at 350/700 mA Constant voltage / pwr output 4 V / 5 W 8 V / 10 W 24 V / 20 W 5 V / 6 W 10 V / 12 W 6 V / 7 W 12 V / 15 W
Dimmable:	No
Voltage input:	24 - 32 Vdc
Max. temp. (tc):	85° C
Ambient temp (ta):	-20 to +50° C
Weight:	105 gram
Dimensions:	110 x 52 x 23.5 mm
In accordance to:	EN55015



< 20 W

L05035 LED Driver 20 W, 3 - 30 Vdc, 2 x 350 mA



- Supply voltage 24 Vdc
- 1 - 10 V dimmable
- Thermal protection
- Active output overvoltage protection
- High efficiency across a wide range of loads
- SELV

Driver type:	Constant current
Max power output:	20 W
Current output:	2 channels at 350 mA
Voltage output	3 - 30 Vdc
Dimmable:	1 - 10 V / potentiometer 100K log b
Voltage input:	12 - 32 Vdc
Max. temp. (tc):	85° C
Ambient temp (ta):	-20 to +50° C
Weight:	105 gram
Dimensions:	110 x 52 x 23.5 mm
In accordance to:	EN55015



< 30 W

L05011i3 LED Driver 24 W, 6 - 42 Vdc, 200 - 1200 mA

NEW

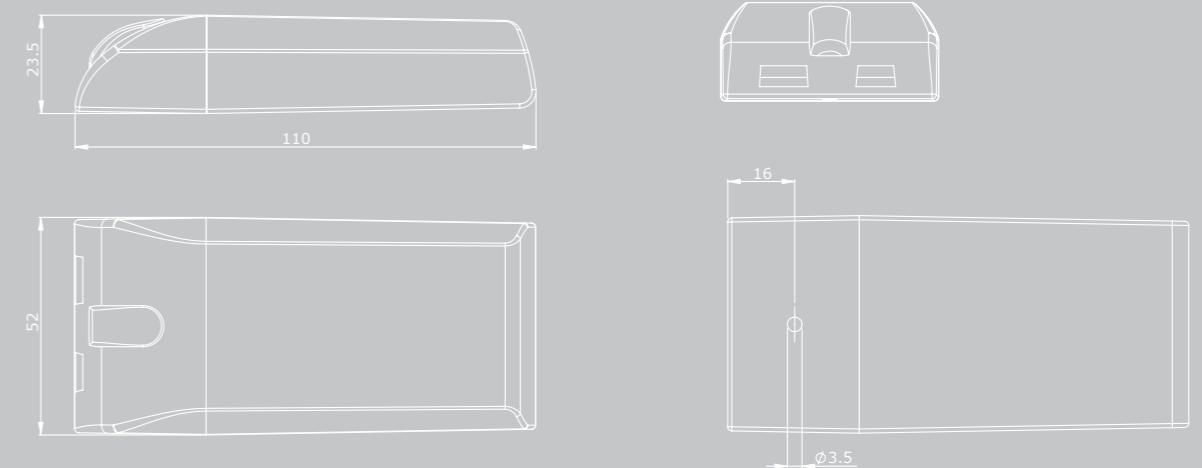
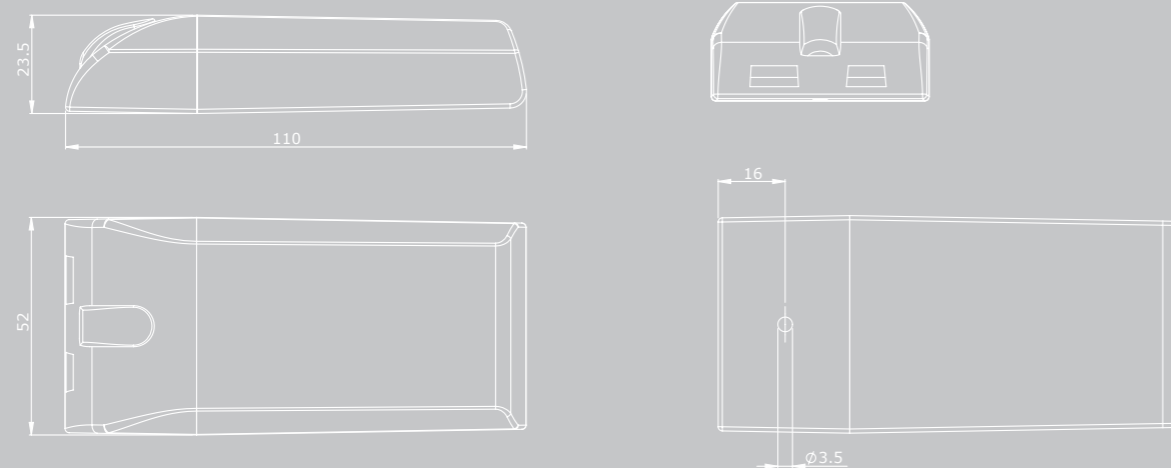


- Wide output voltage range 6 - 42 Vdc
- Wide range of current settings (dip-switch) 200 - 1200 mA
- 1 - 10V
- Max inrush current <0.25 A
- Output current ripple <1% at 100 Hz
- Thermal protection: dimming instead of switch off
- Active output overcurrent protection
- High efficiency across a wide range of loads
- Power factor 0.98
- ENEC certified
- SELV

Driver type:	Constant current
Max power output:	20 W (24 W)
Current output:	200 - 1200 mA (20 W) 600 - 900 mA (24 W)
Voltage output	6 - 42 Vdc
Dimmable:	1 - 10V / Potentiometer 100 log b
Power factor (λ):	0.98
Voltage input:	180-240 Vac, 50/60 Hz
Max. temp. (tc):	70° C*
Ambient temp (ta):	-20 to +42° C**
Weight:	105 gram
Dimensions:	110 x 52 x 23.5 mm
In accordance to:	EN61347-2-13, EN62384, EN55015, EN61000-3-2, EN61547, SELV



* (80°C when mounted on a heat conductive surface @ Ta = 50°C)
 ** (-20 +50°C when mounted on a heat conductive surface)



< 30 W

L05011i4 LED Driver 24 W, 6 - 42 Vdc, 200 - 1200 mA

NEW

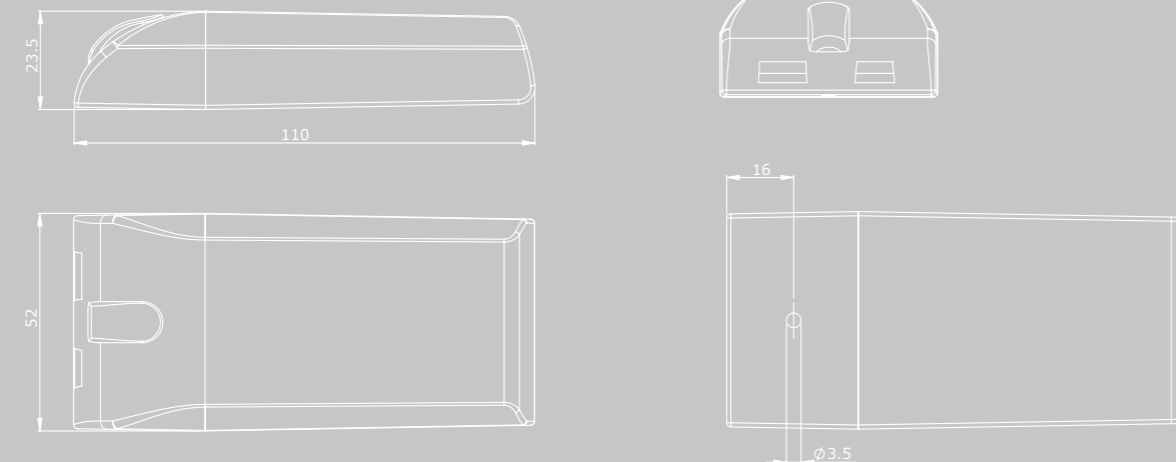


Driver type:	Constant current
Max power output:	20 W (24 W)
Current output:	200 - 1200 mA (20W) 600 - 900 mA (24 W)
Voltage output	6 - 42 Vdc
Dimmable:	Pulse switch
Power factor (λ):	0.98
Voltage input:	180 - 240 Vac, 50/60 Hz
Max. temp. (tc):	70° C*
Ambient temp (ta):	-20 to +42° C**
Weight:	105 gram
Dimensions:	110 x 52 x 23.5 mm
In accordance to:	EN61347-2-13, EN62384, EN55015, EN61000-3-2, EN61547, SELV

- Wide output voltage range 6 - 42 Vdc
- Wide range of current settings (dip-switch) 200 - 1200 mA
- Max inrush current <0.25 A
- Output current ripple <1% at 100 Hz
- Thermal protection: dimming instead of switch off
- Active output overcurrent protection
- High efficiency across a wide range of loads
- Power factor 0.98
- ENEC certified
- SELV



* (80°C when mounted on a heat conductive surface @ Ta = 50°C)
 ** (0 +50°C when mounted on a heat conductive surface)



< 30 W

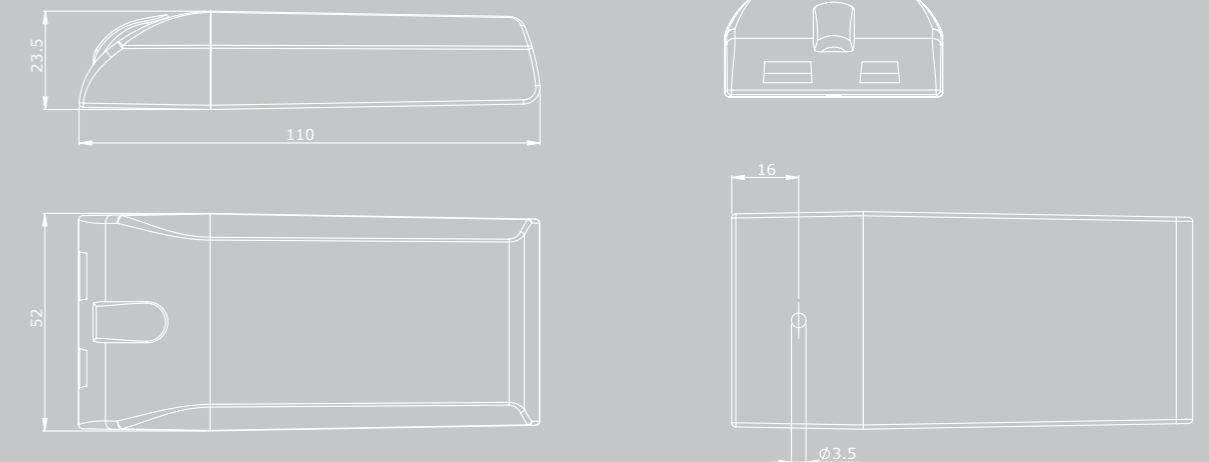
L05031 LED Driver 30 W, 6 - 42 Vdc, 100 - 1400 mA

NEW



Driver type:	Constant current
Max power output:	30 W
Current output:	100 - 1400 mA
Voltage output	6 - 42 Vdc
Dimmable:	1 - 10V / pulse switch
Power factor (λ):	0.97
Voltage input:	180 - 240 Vac, 50/60 Hz
Max. temp. (tc):	80° C
Ambient temp (ta):	-20 to +42° C
Weight:	105 gram
Dimensions:	110 x 52 x 23.5 mm
In accordance to:	EN61347-2-13, EN62384, EN55015, EN61000-3-2, EN61547, SELV

- Wide output voltage range 6 - 42 Vdc
- Wide range of current and voltage settings (dip-switch) 100 - 1400 mA
- 1 - 10 V & Pulse dimming
- Max inrush current <0.25 A
- Output current ripple <1% at 100 Hz
- Thermal protection: dimming instead of switch off
- Active output overvoltage protection
- High efficiency across a wide range of loads
- Power factor 0.97
- SELV
- ENEC certified



< 35 W

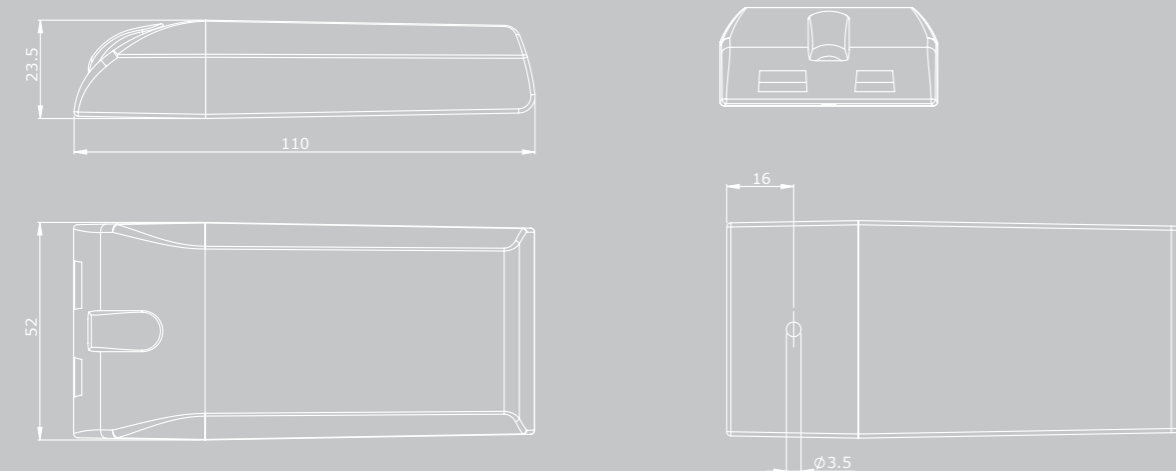
L05033-48700 LED Driver 33 W, 30 - 48 Vdc, 700 mA

NEW



- Wide output voltage range 30 - 48 Vdc
- Max inrush current <1.25 A
- Output current ripple <30 % at 100 Hz
- Thermal protection: dimming instead of switch off
- Active output overcurrent protection
- High efficiency across a wide range of loads
- Power factor 0.97
- ENEC pending
- SELV

Driver type:	Constant current
Max power output:	33 W
Current output:	700 mA
Voltage output:	30 - 48 Vdc
Dimmable:	No
Power factor (λ):	0.97
Voltage input:	220 - 240 Vac, 50/60 Hz
Max. temp. (tc):	84° C
Ambient temp (ta):	-20 to +45° C
Weight:	120 gram
Dimensions:	110 x 52 x 23.5 mm
In accordance to:	EN61347-2-13, EN62384, EN55015, EN61000-3-2, EN61547, SELV



< 30 W

L05025 LED Driver 30 W, 7 - 43 Vdc, 100 - 1000 mA

NEW

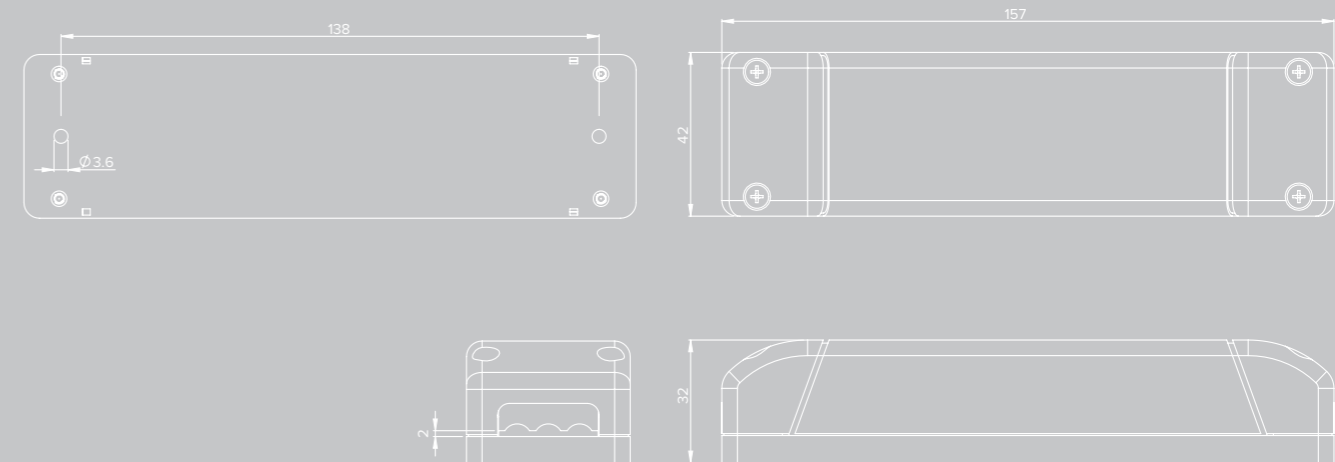


- Very compact size
- Adjustable 100 - 1000 mA
- Output current ripple <1 % at 100 Hz
- High efficiency across a wide range of loads
- Power factor 0.98
- ENEC pending
- SELV

Driver type:	Constant current / DALI
Max power output:	30 W
Current output:	Adjustable 100 - 1000 mA
Voltage output:	7 - 43 Vdc
Dimmable:	Yes With DALI interface
Power factor (λ):	0.98
Voltage input:	220 - 240 Vac, 50/60 Hz
Max. temp. (tc):	65° C (75° C when mounted on a heat conductive surface at Ta 55° C)
Ambient temp (ta):	-20 to +40° C*
Weight:	165 gram
Dimensions:	157 x 42 x 32 mm
In accordance to:	EN61547, EN55015, EN61000-3-2, EN62384, EN61347-2-13, EN61347-10, SELV



* (55° C when mounted on a heat conductive surface)



< 40 W

L05040 LED Driver 40 W, 7 - 55 Vdc, 100 - 1000 mA

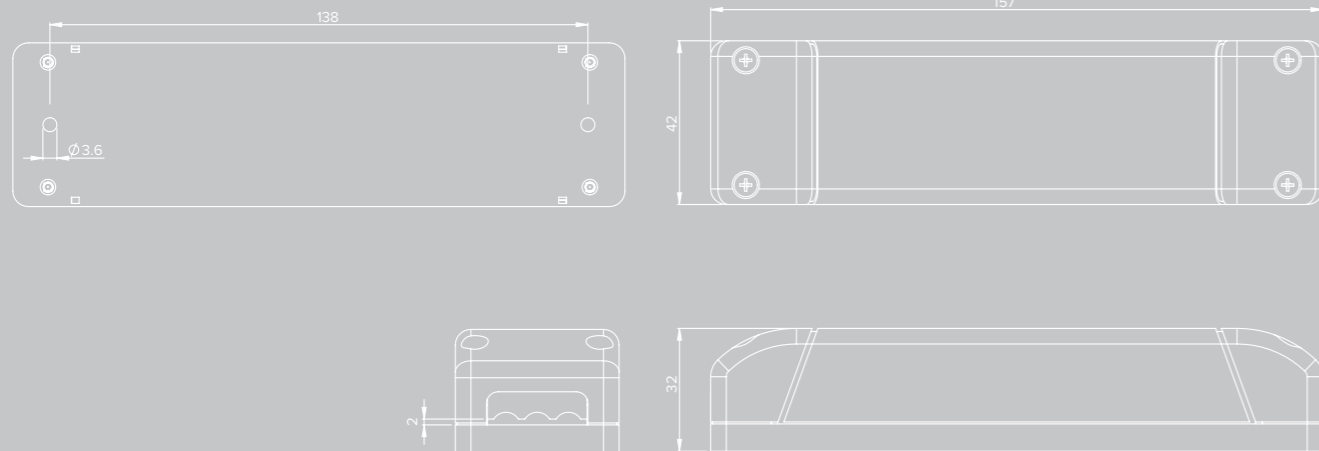


- Very compact size
- Adjustable 100 - 1000 mA
- Output current ripple <1% at 100 Hz
- High efficiency across a wide range of loads
- Active output overcurrent protection
- Power factor 0.9
- ENEC certified
- SELV

Driver type:	Constant current / DALI
Max power output:	40 W
Current output:	Adjustable 100 - 1000 mA
Voltage output	7 - 55 Vdc
Dimmable:	Yes With DALI interface
Power factor (λ):	0.98
Voltage input:	160 - 240 Vac, 50/60 Hz
Max. temp. (tc):	65° C**
Ambient temp (ta):	-20 to +40° C*
Weight:	165 gram
Dimensions:	157 x 42 x 32 mm
In accordance to:	EN61547, EN55015, EN61000-3-2, EN62384, EN61347-2-13, EN61347-10, SELV



* (55° C when mounted on a heat conductive surface)
 ** (75° C when mounted on a heat conductive surface at Ta 55° C)



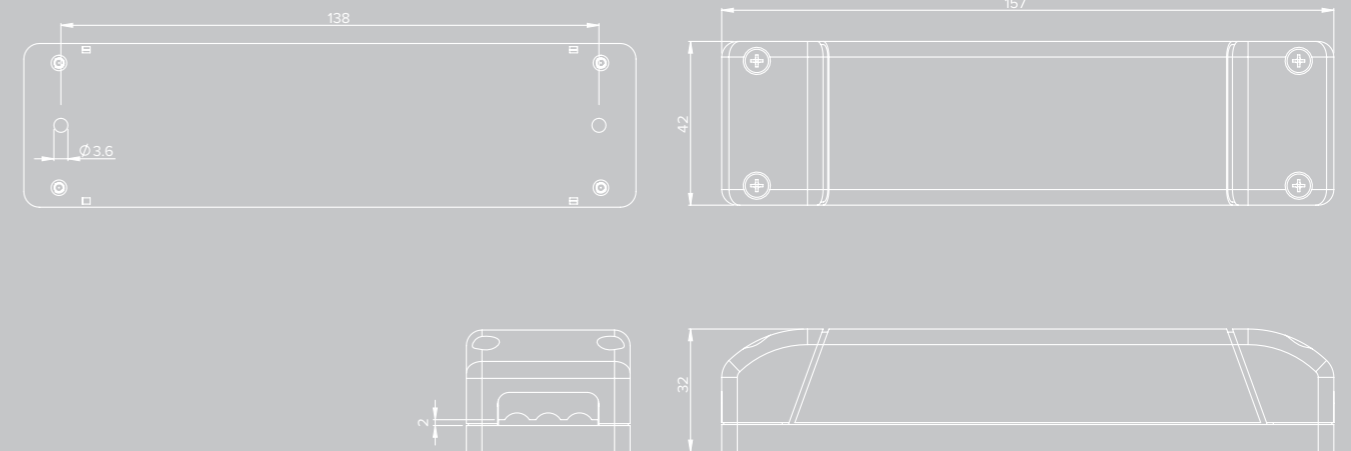
< 40 W

L05044 LED Driver 40 W, 15 - 32 Vdc, 300 - 1400 mA



- Output voltage range 15 - 32 Vdc
- Wide range of current settings 300 - 1400 mA
- Max inrush current 0.4 A
- Low output current ripple <10% at 100 Hz
- Thermal protection: dimming instead of switch off
- Active output overcurrent protection
- High efficiency across a wide range of loads
- Power factor 0.97
- ENEC certified
- SELV

Driver type:	Constant current
Max power output:	40 W at 230 Vac 32 W at 110 Vac
Current output:	Adjustable 300 - 1400 mA
Voltage output	15 - 32 Vdc
Dimmable:	No
Power factor (λ):	0.97
Voltage input:	110 - 240 Vac, 50/60 Hz
Max. temp. (tc):	80° C
Ambient temp (ta):	-25 to +60° C
Weight:	165 gram
Dimensions:	157 x 42 x 32 mm
In accordance to:	EN61347-2-13, EN62384, EN55015, EN61000-3-2, EN61547, SELV



< 40 W

L05045 LED Driver 40 W, 15 - 32 Vdc, 300 - 1400 mA



- Wide output voltage range 15 - 32 Vdc
- Wide range of current settings 300 - 1400 mA
- 1 - 10V dimming
- Max inrush current 0.4 A
- Low output current ripple <10 % at 100 Hz
- Thermal protection
- Active output overcurrent protection
- High efficiency across a wide range of loads
- Power factor 0.98
- ENEC certified
- SELV

Driver type:	Constant current
Max power output:	40 W at 230 Vac 32 W at 110 Vac
Current output:	Adjustable 300-1400 mA
Voltage output	15 - 32 Vdc
Dimmable:	1 - 10V, Potmeter
Power factor (λ):	0.97
Voltage input:	110 - 240 Vac, 50/60 Hz
Max. temp. (tc):	80° C
Ambient temp (ta):	-25 to +60° C
Weight:	165 gram
Dimensions:	157 x 42 x 32 mm
In accordance to:	EN61347-2-13, EN62384, EN55015, EN61000-3-2, EN61547, SELV



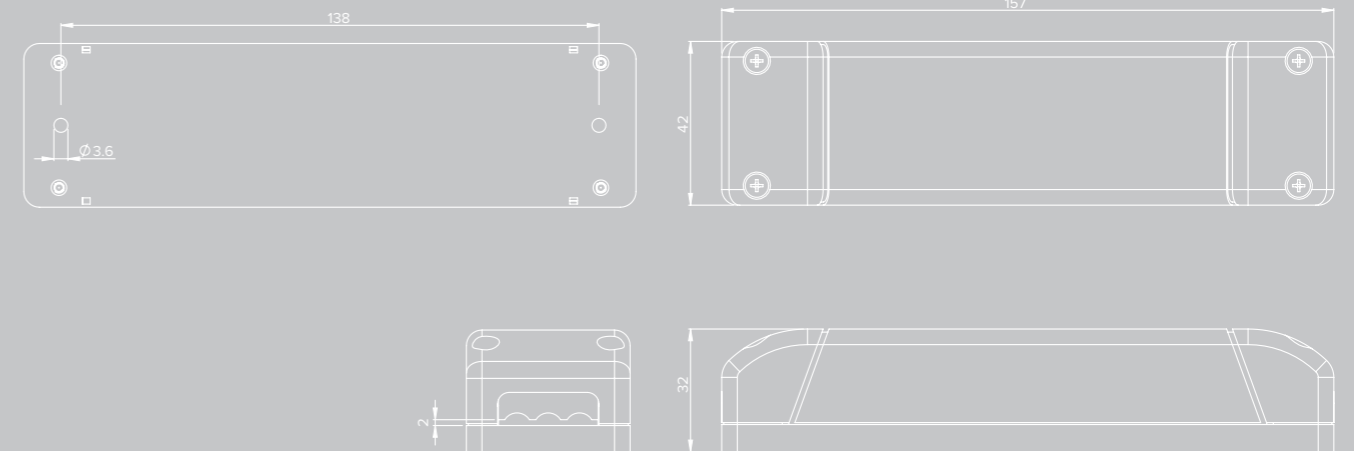
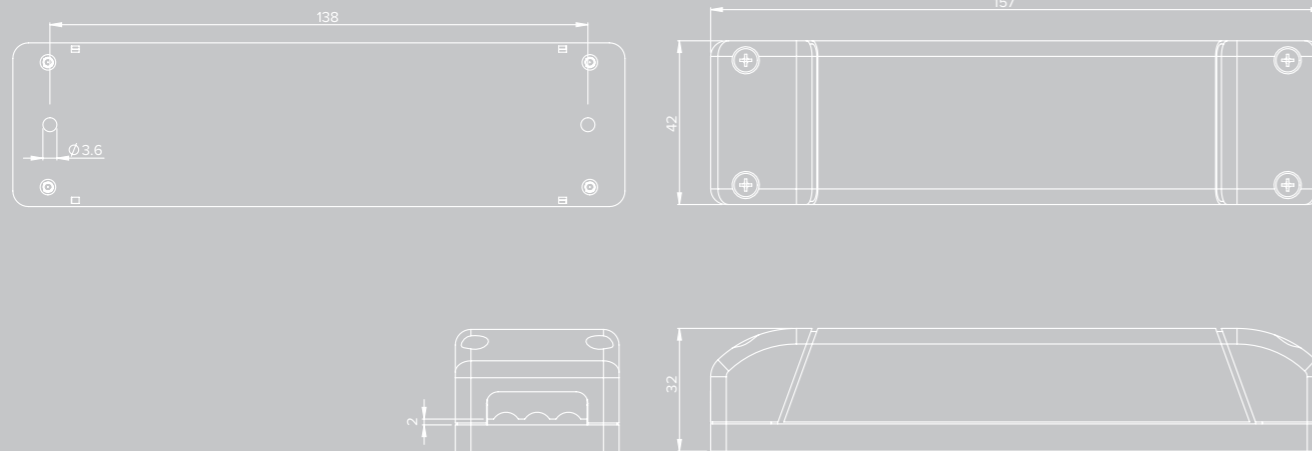
< 40 W

L05046 LED Driver 36 W, 24 Vdc, Constant Voltage



- Max inrush current 0.4 A
- Low output current ripple <10% at 100 Hz
- Thermal protection: dimming instead of switch off
- High efficiency across a wide range of loads
- Power factor 0.97
- SELV
- ENEC certified

Driver type:	Constant voltage
Max power output:	36 W
Current output:	1500 mA Max
Voltage output	24 Vdc
Dimmable:	No
Power factor (λ):	0.97 at 230 Vac 0.99 at 110 Vac
Voltage input:	110 - 240 Vac, 50/60 Hz
Max. temp. (tc):	80° C
Ambient temp (ta):	-25 to +60° C
Weight:	165 gram
Dimensions:	157 x 42 x 32 mm
In accordance to:	EN61347-2-13, EN62384, EN55015, EN61000-3-2, EN61547, SELV



< 40 W

L05049 LED Driver 40 W, 22 - 60 Vdc, 245 - 1050 mA L05049-601000 LED Driver 40 W, 20 - 60 Vdc, 245 - 1050 mA

NEW



- Wide output voltage range 22 - 60 Vdc
- Wide range of current settings 245 - 1050 mA
- 1 - 10 V dimming
- Max inrush current 0.4 A
- Output current ripple <20 % at 100 Hz
- Thermal protection: dimming instead of switch off
- Active output overcurrent protection
- High efficiency across a wide range of loads
- Power factor 0.98
- ENEC certified
- SELV

Driver type:	Constant current
Max power output:	40 W at 230 Vac 32 W at 110 Vac
Current output:	245 mA to 1050 mA
Voltage output	22 - 60 Vdc
Dimmable:	1 - 10 V (range 15 - 100%) / potmeter (100k log b)
Power factor (λ):	0.98 at 230 Vac 0.99 at 110 Vac
Voltage input:	110 - 240 Vac, 50/60 Hz
Max. temp. (tc):	80° C
Ambient temp (ta):	-25 to 60°C
Weight:	165 gram
Dimensions:	157 x 42 x 32 mm
In accordance to:	EN61347-2-13, EN62384, EN55015, EN61000-3-2, EN61547, SELV



< 60 W

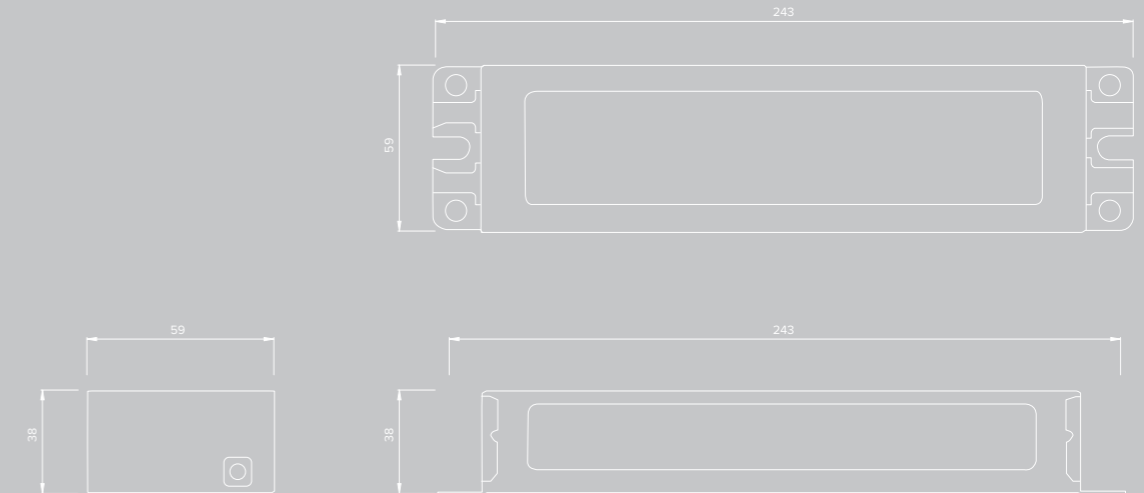
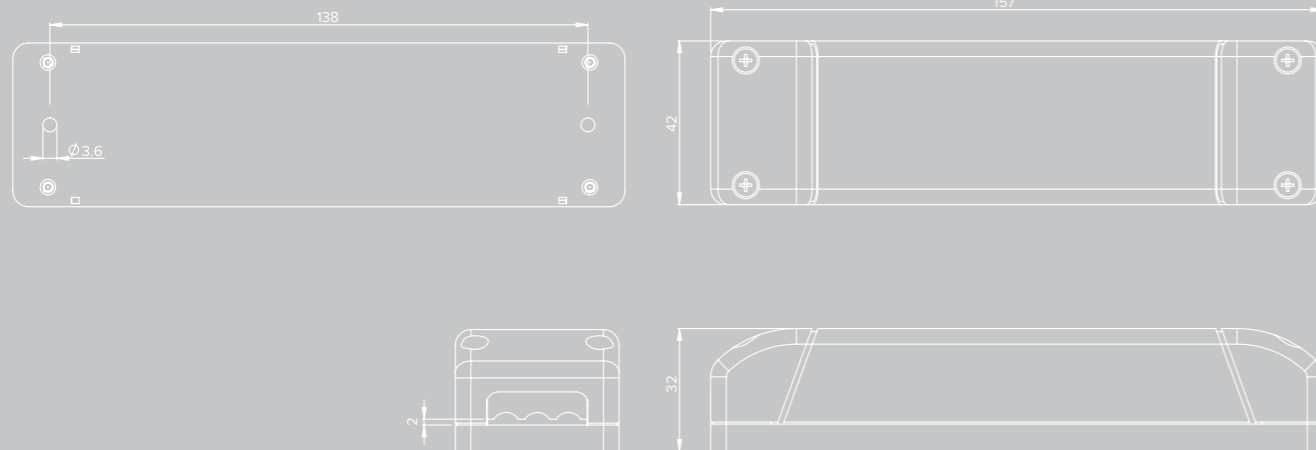
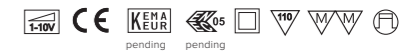
L05055 LED Driver 60 W, 22 - 46 Vdc, 245 - 2000 mA

NEW



- Wide output voltage range 20 - 60 Vdc
- Wide range of current settings 245 - 2000 mA
- 1 - 10 V dimming
- NTC temperature sensor input
- 12 V fan power output
- Max inrush current <1.25 A*
- Output current ripple <10 % at 100 Hz
- Thermal protection: dimming instead of switch off
- Active output overcurrent protection
- High efficiency across a wide range of loads
- Power factor 0.99
- SELV

Driver type:	Constant current
Max power output:	60 W
Current output:	245 - 2000 mA
Voltage output	20 - 60 Vdc
Dimmable:	1 - 10 V (range 10 - 100%) / potmeter 100k log b (range 10 - 100%)
Power factor (λ):	0.99
Voltage input:	110 - 240 Vac, 50/60 Hz
Max. temp. (tc):	80° C
Ambient temp (ta):	-40 to +55° C
Weight:	165 gram
Dimensions:	157 x 42 x 32 mm
In accordance to:	EN61347-2-13, EN62384, EN55015, EN61000-3-2, EN61547, SELV



< 60 W

L05055-24CV2000 LED Driver 60 W, 22 - 46 Vdc, 2000 mA

NEW



- Max inrush current 0.4 A
- Low output current ripple <10% at 100 Hz
- Thermal protection: dimming instead of switch off
- High efficiency across a wide range of loads
- Power factor 0.99
- ENEC pending
- SELV

Driver type:	Constant voltage
Max power output:	48 W
Current output:	max 2000 mA
Voltage output	24 Vdc
Dimmable:	No
Power factor (λ):	0.99
Voltage input:	110 - 240 Vac, 50/60 Hz
Max. temp. (tc):	85° C
Ambient temp (ta):	-20 to +45° C
Weight:	165 gram
Dimensions:	157 x 42 x 32 mm
In accordance to:	EN61347-2-13, EN62384, EN55015, EN61000-3-2, EN61547, SELV



< 75 W

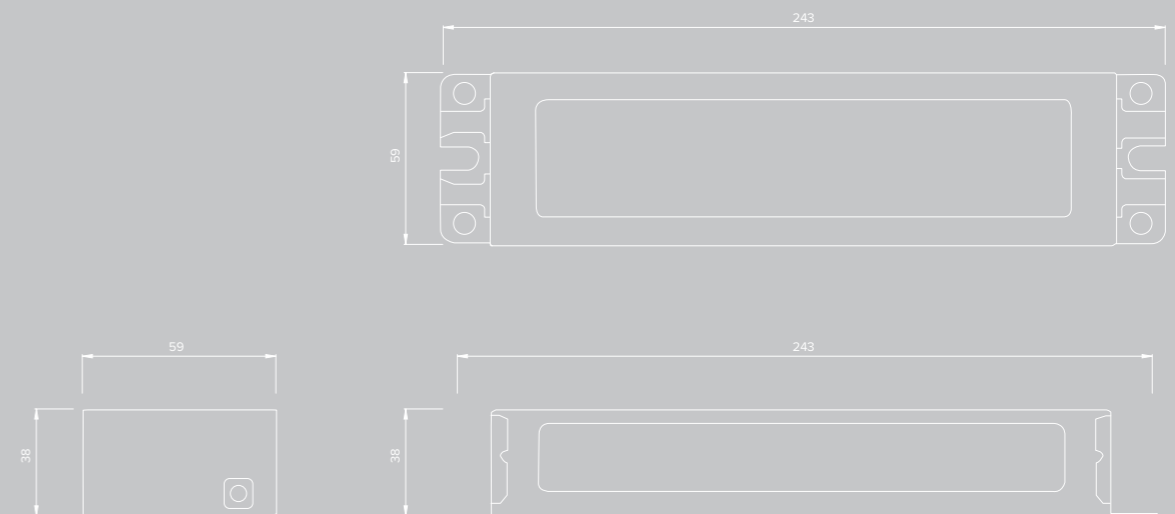
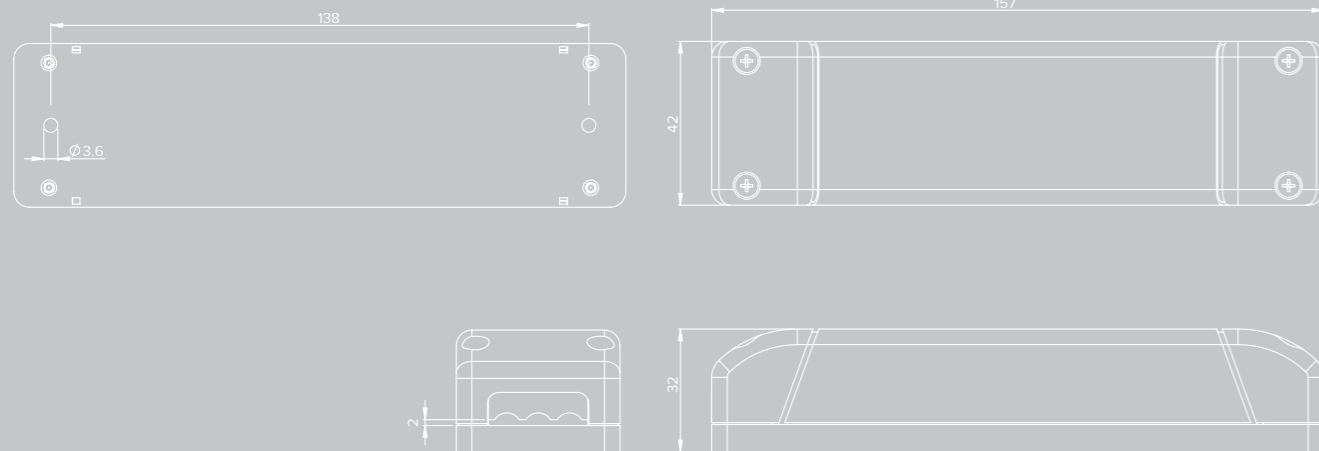
L05175 LED Driver 75 W, 68 - 152 Vdc, 350 - 700 mA

PRELIMINARY



- Output voltage range 68 - 152 Vdc
- Wide range of current settings 350 - 700 mA
- Dimming Method : 1 - 10 V, DALI, Schedule Dimmer
- Input Cable : Double or Reinforced Insulation
- Programming Function : Maximum Output Current, Constant Lumen Operation, Constant Power, Schedule Dimmer, Temperature Protection
- NTC temperature sensor input
- Auxiliary Power Supply : 3.3 V Output for Auxiliary Devices (Sensors)
- IP65

Driver type:	Constant current
Max power output:	75 W
Current output:	Adjustable 350 - 700 mA
Voltage output	68 - 152 Vdc
Dimmable:	1 - 10V (10 - 100%) / DALI / Schedule
Power factor (λ):	0.9
Voltage input:	108 - 305 Vac, 50/60 Hz
Max. temp. (tc):	80° C
Ambient temp (ta):	-40 to 55° C C
Weight:	870 gram
Dimensions:	243 x 59 x 38 mm
In accordance to:	CE, UL8750, CSA C22.2 No. 250.13-12, EN61347-1, EN61347-2-13 Class B, FCC15, EN55015, EN61000-3-2, EN61000-3-3, EN61547-2009



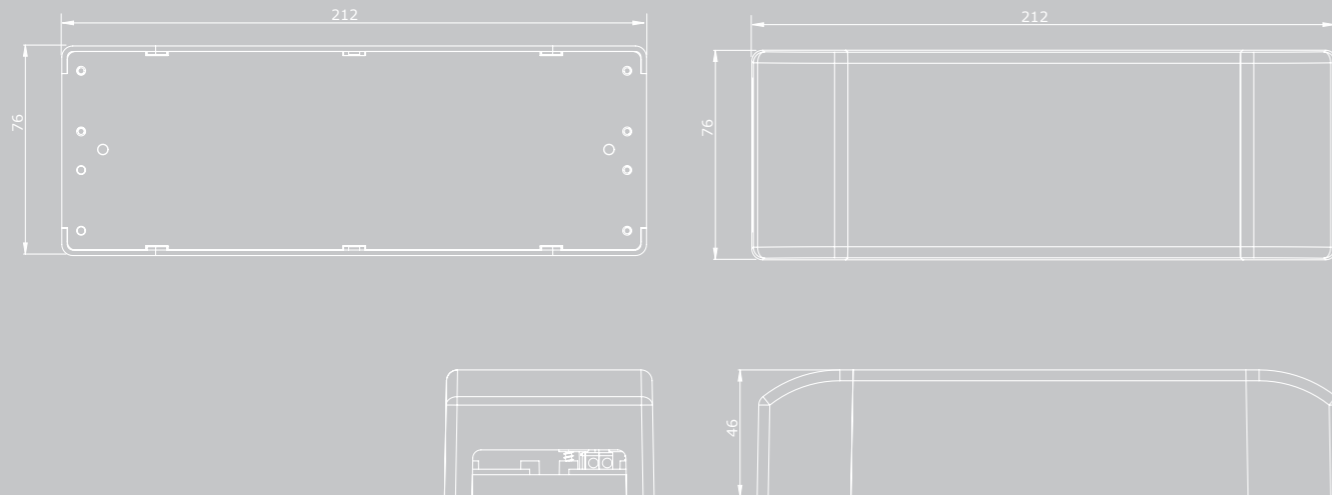
< 100 W

L05060 LED Driver 100 W, 20 - 60 Vdc, 700 - 2800 mA



- Wide output voltage range 20 - 60 Vdc
- Wide range of current settings 700 - 2800 mA
- 1 - 10V dimming
- NTC temperature sensor input
- 12 V fan power output
- Max inrush current <1.6 A
- Output current ripple <10 % at 100 Hz
- Thermal protection: dimming instead of switch off
- Active output overcurrent protection
- High efficiency across a wide range of loads
- Power factor 0.98
- ENEC certified
- SELV

Driver type:	Constant current
Max power output:	100 W at 240 Vac 60 W at 110 Vac
Current output:	700 - 2800 mA
Voltage output	20 - 60 Vdc
Dimmable:	1 - 10 V (range 10 - 100%) / potmeter 100k log b (range 10 - 100%)
Power factor (λ):	0.98
Voltage input:	110 - 240 Vac, 50/60 Hz
Max. temp. (tc):	65° C
Ambient temp (ta):	-25 to +40° C
Weight:	500 gram
Dimensions:	212 x 76 x 46 mm
In accordance to:	EN61347-2-13, EN62384, EN55015, EN61000-3-2, EN61547, SELV



< 150 W

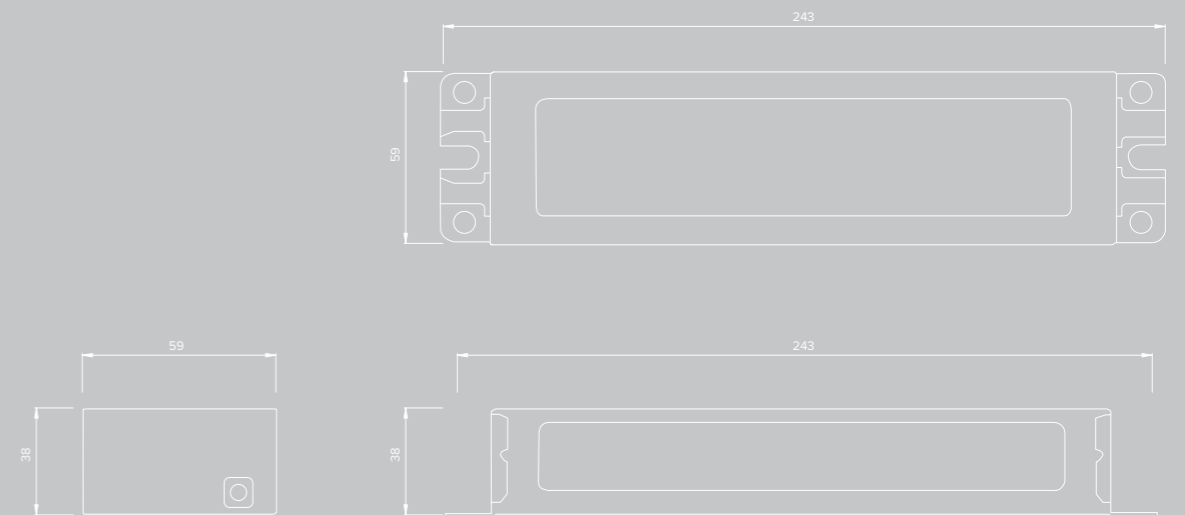
L05176 LED Driver 150 W, 125 - 280 Vdc, 350 - 700 mA

PRELIMINARY



- Output voltage range 125 - 280 Vdc
- Wide range of current settings 350 - 700 mA
- Dimming Method : 1 - 10 V, DALI, Schedule Dimmer
- Input Cable : Double or Reinforced Insulation
- Programming Function : Maximum Output Current, Constant Lumen Operation, Constant Power, Schedule Dimmer, Temperature Protection
- NTC temperature sensor input
- Auxiliary Power Supply : 3.3 V Output for Auxiliary Devices (Sensors)
- IP65

Driver type:	Constant current
Max power output:	150 W
Current output:	Adjustable 0.35 - 0.7A
Voltage output	125 - 280 Vdc
Dimmable:	1 - 10V (10-100%) / DALI / Schedule
Power factor (λ):	0.9
Voltage input:	108 - 305 Vac, 50/60 Hz
Max. temp. (tc):	80° C
Ambient temp (ta):	-40 to +55° C
Weight:	960 gram
Dimensions:	243 x 59 x 38 mm
In accordance to:	CE, UL8750, CSA C22.2 No. 250.13-12, EN61347-1, EN61347-2-13 Class B, FCC15, EN55015, EN61000-3-2, EN61000-3-3, EN61547-2009



< 150 W

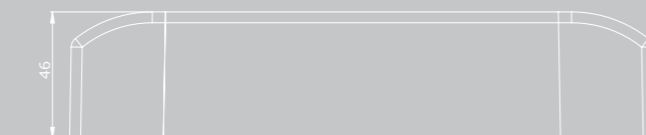
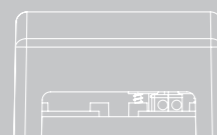
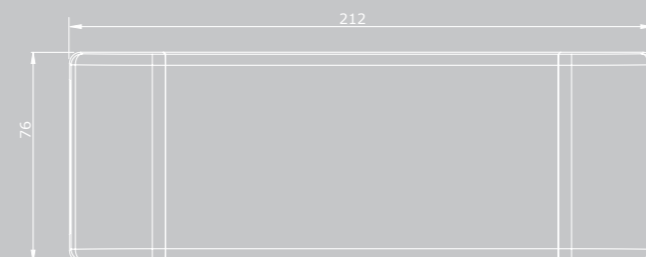
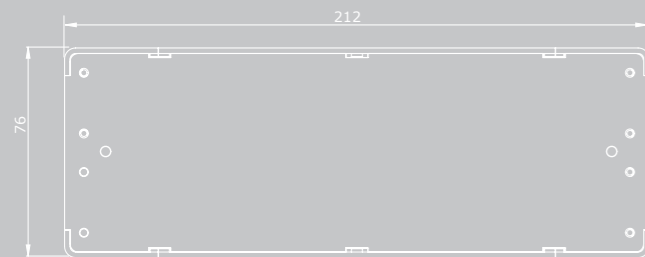
L05065 LED Driver 150 W, 20 - 60 Vdc, 1000 - 4000 mA

PRELIMINARY



- Wide output voltage range 20 - 60 Vdc
- Wide range of current settings 1000 - 4000 mA
- 1 - 10 V dimming
- NTC temperature sensor input
- 12 V fan power output
- Max inrush current <2.0 A
- Output current ripple <10 % at 100 Hz
- Thermal protection: dimming instead of switch off
- Active output overcurrent protection
- High efficiency across a wide range of loads
- Power factor 0.98
- ENEC pending
- SELV

Driver type:	Constant current
Max power output:	150 W at 240 Vac 100 W at 110 Vac
Current output:	1000 - 4000 mA
Voltage output	20 - 60 Vdc
Dimmable:	1 - 10V (range 10-100%) / potmeter 100k log b (range 10 - 100%)
Power factor (λ):	0.99 at 115 Vac 0.99 at 230 Vac
Voltage input:	110 - 240 Vac, 50/60 Hz
Max. temp. (tc):	80° C
Ambient temp (ta):	-25 to +50° C
Weight:	600 gram
Dimensions:	212 x 76 x 46 mm
In accordance to:	EN61347-2-13, EN62384, EN55015, EN61000-3-2, EN61547, SELV



- Luminaires suitable for direct mounting on normally flammable surfaces
- Protection against overheating to prevent the lamp controlgear case temperature under any conditions of use from exceeding the indicated value
- Suitable for direct mounting on normally flammable surfaces
- CE is the quality European Mark for electrical products that demonstrates compliance with European safety and EMC standards
- Class I luminaire: fully insulated and equipped with functional earth connection
- Class II luminaire: double insulated and / or provided with reinforced insulation, not grounded
- Class III luminaire: protection against electric shock depending on connection to safe, low voltage (vz-chain)
- KEMA Keur certification
- ENEC is the high quality European Mark for electrical products that demonstrates compliance with European safety standards.
- DALI dimmable
- Suitable for inductive and capacitive capable dimmers, mains dimmable
- Capacitive capable Mains dimmable
- 1-10V dimmable
- Pulse dimmable
- Not dimmable

