

QUAD HIGH SPEED SINGLE SUPPLY OPERATION AMPLIFIER – NJM3474



**NJM3474G
(SOP14)**

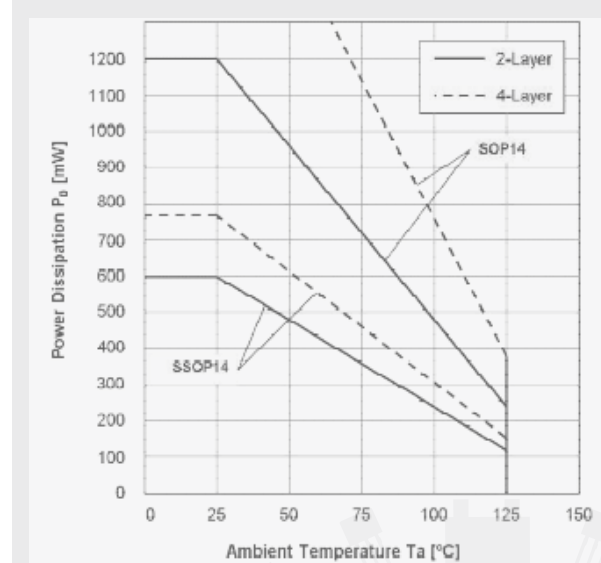


**NJM3474V
(SSOP14)**

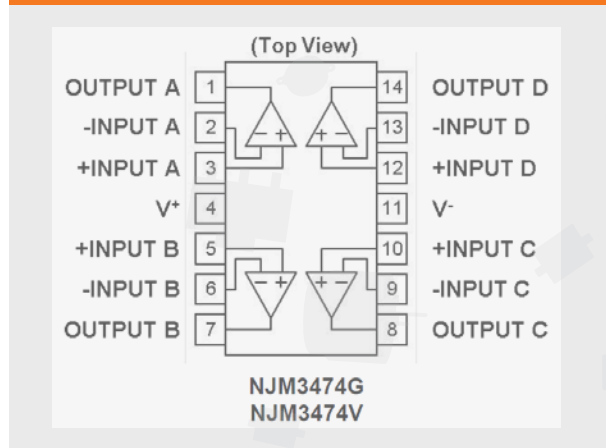
FEATURES

- » High Slew Rate 10V/μs
- » High Bandwidth 3 MHz
- » High Unity Gain Frequency 3.6 MHz
- » Input Offset Voltage 5.5 mV max.
- » Single Supply 3V~36V
- » Operating Temperature Range -40°C~+125°C
- » Low input voltage around GND level
- » Unity-Gain Stable
- » Operating Current (All amplifiers) 8 mA
- » No Phase Reversal
- » High EMI Immunity
- » Output Short-Circuit Protection
- » Package NJM3474 SOP14, SSOP14

DISSIPATION POWER VS. AMBIENT TEMPERATURE



PIN CONFIGURATION



APPLICATIONS

- » Current sensor
- » Buffer application amplifier
- » Active filter
- » Battery application

Contact for information: Mr. Kinn · Tel. +49(0)7452-6007- 21 · e-mail: d.kinn@endrich.com

HEADQUARTERS

ENDRICH Bauelemente Vertriebs GmbH · P.O.Box 1251 · D-72192 Nagold
 T +49 (0) 7452 6007-0 · F +49 (0) 7452 6007-70
 endrich@endrich.com · www.endrich.com



SALES OFFICES IN EUROPE

France:
 Paris: T +33/2 41 80 19 87 · france@endrich.com

Austria & Slovenia
 Vienna: T +43/1 66 52 52 521 · austria@endrich.com

Hungary:
 Budapest: T +361 / 2 97 41 91 · hungary@endrich.com

Bulgaria:
 Sofia: T +359/2 874 30 49 · bulgaria@endrich.com

Romania:
 Timisoara: T +40/356 11 41 88 · romania@endrich.com

Switzerland – Novitronic:
 Zurich: T +41/44 306 91 91 · info@novitronic.ch

Spain:
 Barcelona: T +34/93 217 31 44 · spain@endrich.com