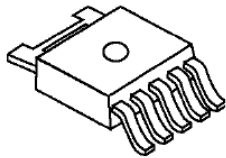


I_o = 500 mA LDO WITH RESET-FUNCTION – NJW4116



NJW4116DL3

FEATURES

- » Wide operating voltage range: 4.0V ... 40V
- » Low current consumption: 55 μ A typ.
- » High precision output voltage: $V_o \pm 1\%$ (Ta=25°C)
 $V_o \pm 2\%$ (Ta=-40...+125°C)
- » High precision detection voltage: $V_{DET} \pm 1\%$ (Ta=25°C)
 $V_{DET} \pm 2\%$ (Ta=-40...+125°C)
- » Output current: $I_o(\text{min.}) = 500$ mA
- » Adjustable RESET output delay hold time with external capacitor
- » Correspond to low ESR capacitor (MLCC)
- » Thermal shutdown protection
- » Over current protection
- » Package Outline: TO-252-5

MODELS - MASS PRODUCTION

NJW4116DL3-A46-T1: $V_{OUT} 5.0V / V_{DET} 4.6V$

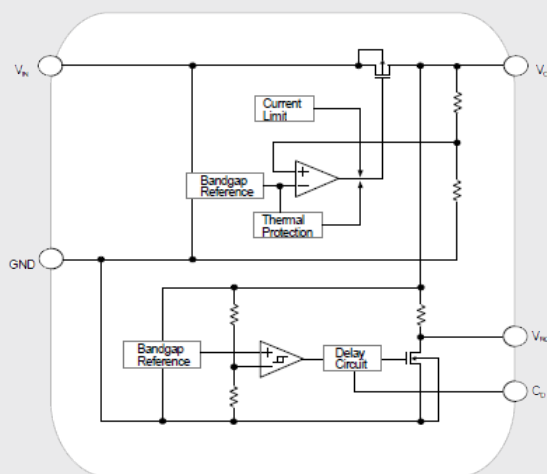
NJW4116DL3-A41-T1: $V_{OUT} 5.0V / V_{DET} 4.1V$

MODEL - PLAN

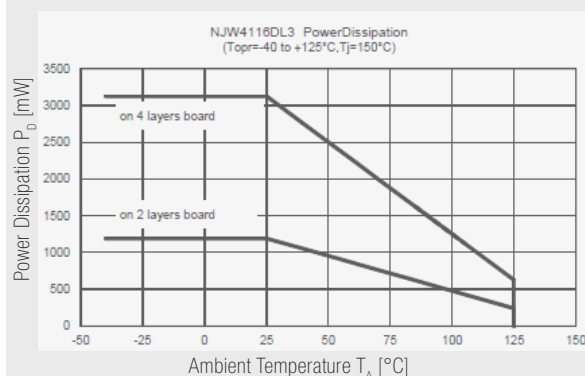
NJW4116DL3-B03-T1: $V_{OUT} 3.3V / V_{DET} 3.0V$

The **NJW4116** is a 500 mA output low dropout voltage regulator with reset function monitoring output voltage. Reset Output Hold Time is adjustable by external capacitor. Because of wide operate voltage range and wide temperature range, the NJW4116 suits for high reliability application such as automotive application.

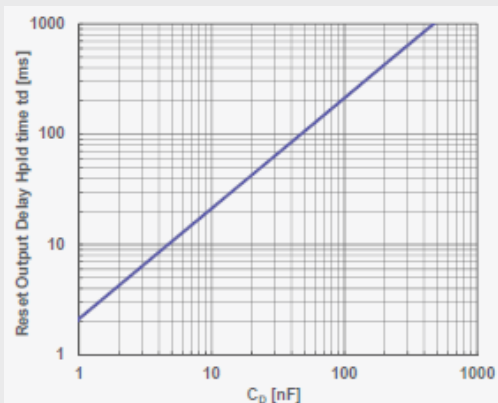
BLOCK DIAGRAM



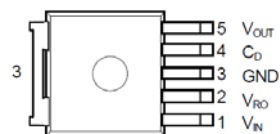
POWER DISSIPATION VS. AMBIENT TEMPERATURE



RESET OUTPUT DELAY HOLD TIME



PIN CONFIGURATION



1. V_{IN} Input Voltage Pin
2. V_{RO} Reset Output Pin
3. GND GND Pin
4. C_D External Capacitor Pin for setting RESET Output Delay Hold Time
5. V_{OUT} Output Voltage Pin