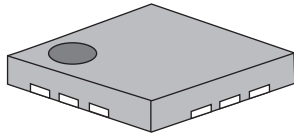


# DRIVER NJU72501 WITH MULTI-MODE CHARGE PUMP FOR PIEZO SOUNDERS



## FEATURES

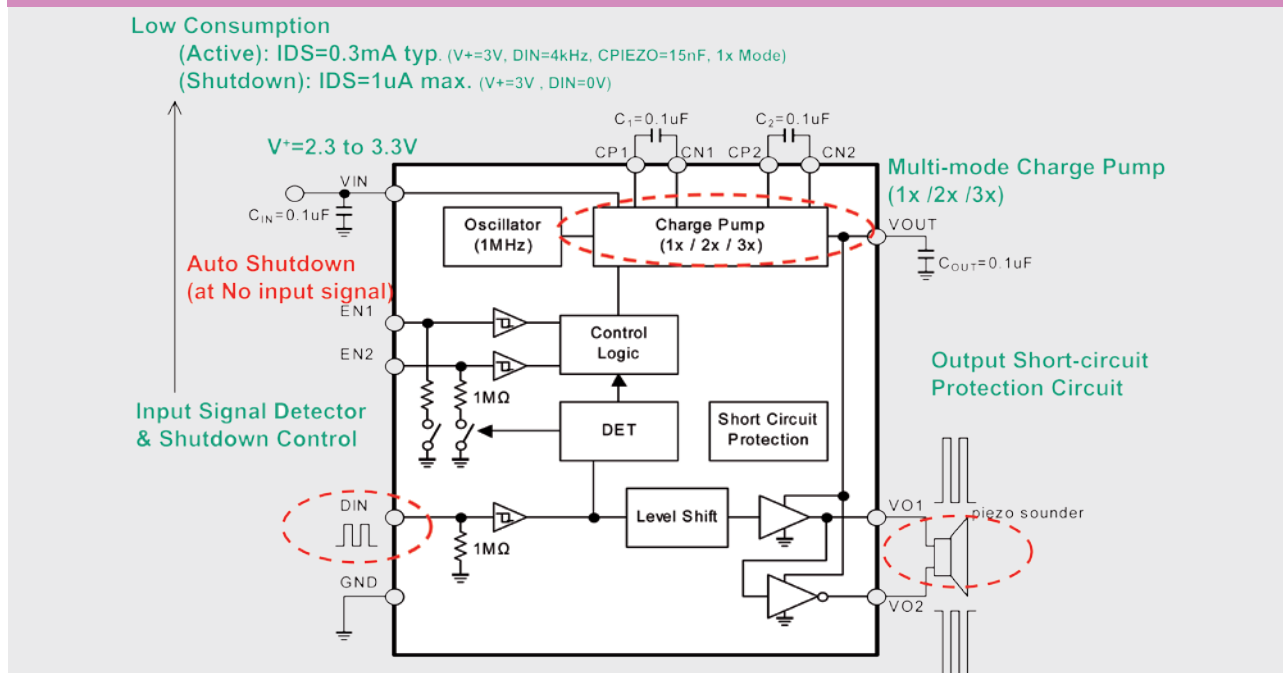
- » Operating Voltage: 2.3 to 3.4V
- » Consumption current: Active:  $I_{DS}=0.3\text{ mA typ.}$  ( $V+=3V$ ,  $DIN=4\text{ kHz}$ ,  $C_{PIEZO}=15\text{ nF}$ , 1x mode)  
Shutdown:  $I_{DS}=1\mu\text{A max.}$  ( $V+=3V$ ,  $DIN=0V$ )
- » Multi-Mode Charge Pump (1x/2x/3x)
- » Input Signal Detector & Shutdown Control
- » Output Short-circuit Protection Circuit
- » C-MOS Technology
- » Operating temperature:  $-40^{\circ}\text{C} \dots +85^{\circ}\text{C}$
- » Package Outline: QFN12

The NJU72501 is a switching driver with multi mode charge pump for piezo-sounder. It can drive outputs up to 18Vpp from 3V supply. For adjusting the piezoelectric sounder sound volume, the charge pump can operate in either of a 1x, 2x or 3x mode. Because NJU72501 has the shutdown function, it is suitable for the battery application.

## APPLICATIONS

- » Healthcare
- » Wrist watches
- » Alarm clocks
- » Handheld GPS devices
- » PDAs
- » applicable for all piezo transducers, for example our SMD or PIN-types of our supplier CHINASOUND: CSPT13A03/CSPT12A03/ CSPT16B03/ CPT17D12

## BLOCK DIAGRAM NJU72501



Contact for information: Mr. Kinn · Tel. +49(0)7452-6007-21 · e-mail: d.kinn@endrich.com

## HEADQUARTERS

ENDRICH Bauelemente Vertriebs GmbH · P.O.Box 1251 · D-72192 Nagold  
 T +49 (0) 7452 6007-0 · F +49 (0) 7452 6007-70  
 endrich@endrich.com · www.endrich.com

## SALES OFFICES IN EUROPE

### France:

Angers: T +33/2 41 80 33 54 · v.rousseau@endrich.com  
 Paris: T +33/1 46 05 99 13 · e.cosperec@endrich.com

### Austria & Slovenia

Vienna: T +43/1 66 52 52 521 · a.schwaha@endrich.com



### Hungary:

Budapest: T +361 / 2 97 41 91 · z.kiss@endrich.com

### Bulgaria:

Sofia: T +359/2 874 30 49 · bulgaria@endrich.com

### Switzerland – Novitronic:

Zurich: T +41/44 306 91 91 · info@novitronic.ch

### Spain:

Barcelona: T +34/93 217 31 44 · spain@endrich.com