

ULTRA LOW CAPACITANCE STEERING DIODE/TVS ARRAY



The **DSL03-24** provides ESD, EFT and surge protection for high-speed data interfaces. The transient voltage array, steering diode combination device meets IEC 61000-4-2 (ESD), IEC 61000-4-4 (EFT) and IEC 61000-4-5 (Surge) requirements.

Available in the space-saving SOT-23-6 package configuration, this device is offered in 24 Volts with a Peak Pulse Power rating of 500 Watts for and 8/20µs waveshape.

FEATURES & BENEFITS

- Compatible with IEC 61000-4-2 (ESD):
Air 15 kV, Contact 8 kV
- Compatible with IEC 61000-4-4 (EFT):
40 A, 5/50 ns
- Compatible with IEC 61000-4-5 (Surge):
24 A, 8/20 µs – Level 2 (Line-Gnd) & Level 3 (Line-Line0)
- 500 Watts Peak Pulse Power per Line (tp = 8/20 µs)
- ESD Protection > 25 kilovolts
- Protection for 2 Lines
- Low Capacitance: < 5 pF
- RoHS Compliant
- REACH Compliant

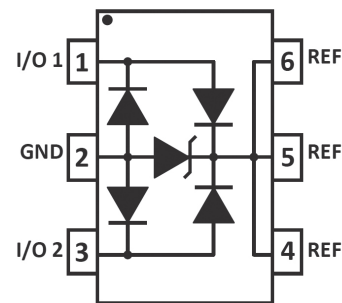
APPLICATIONS

- xDSL
- Portable Electronics
- SMART Phones

MECHANICAL CHARACTERISTICS

- Molded JEDEC SOT-23-6 Package
- Approximate Weight: 16 milligrams
- Lead-Free Nickel Paladium Gold Plating
- Solder Reflow Temperature - 260 - 270°C
- Flammability Rating UL 94V-0
- 8 mm Tape and Reel per EIA Standard 481

PIN CONFIGURATION



Contact for information: Mr. Kiraly · Tel.: +49(0)7452-6007-63 · e-mail: m.kiraly@endrich.com

HEADQUARTERS

ENDRICH Bauelemente Vertriebs GmbH · P.O.Box 1251 · D-72192 Nagold
T +49 (0) 7452 6007-0 · F +49 (0) 7452 6007-70 · endrich@endrich.com · www.endrich.com

SALES OFFICES IN EUROPE

France:
Paris: T +33/186653215 · france@endrich.com
Lyon: T +33/186653215 · france2@endrich.com

Austria & Slovenia
Brunn am Gebirge: T +43/1 665 25 25 · austria@endrich.com

Hungary:
Budapest: T +36/1/2 97 41 91 · hungary@endrich.com

Bulgaria:
Sofia: bulgaria@endrich.com

Romania:
Timisoara: romania@endrich.com

Switzerland – Novitronic:
Zurich: T +41/44 306 91 91 · info@novitronic.ch

Spain:
Barcelona: T +34/93 217 31 44 · spain@endrich.com